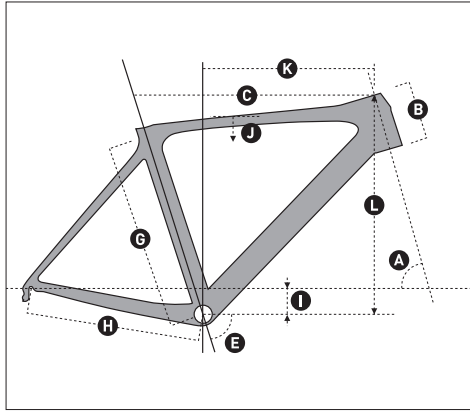


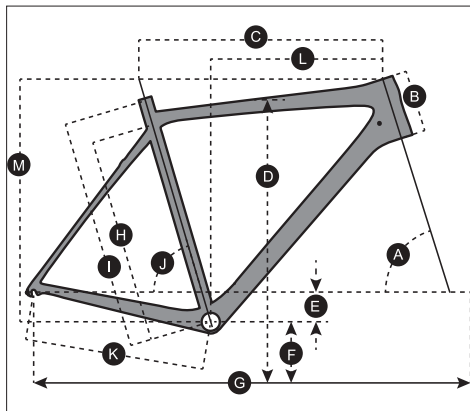
SCOTT 2014 FRAME GEOMETRY

FOIL



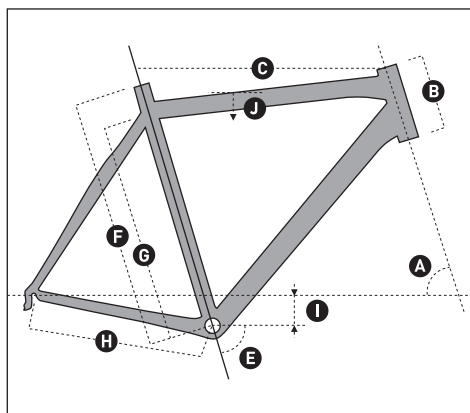
	XXS/47		XS/49		S/52		M/54		L/56		XL/58		XXL/61	
A HEAD TUBE ANGLE	70.5°		71.0°		72.0°		73.0°		73.0°		73.3°		73.3°	
B HEADTUBE LENGTH	100 mm	3.9 in	105 mm	4.1 in	120 mm	4.7 in	140 mm	5.5 in	160 mm	6.3 in	180 mm	7.1 in	200 mm	7.9 in
C TOPTUBE LENGTH HORIZONTAL	510 mm	20.1 in	520 mm	20.5 in	535 mm	21.1 in	550 mm	21.7 in	565 mm	22.2 in	580 mm	22.8 in	595 mm	23.4 in
E SEAT TUBE ANGLE	74.5°		74.5°		74.0°		73.3°		73.3°		73.0°		72.5°	
G BB CENTER TO TOPTUBE CENTER	410 mm	16.1 in	430 mm	16.9 in	460 mm	18.1 in	480 mm	18.9 in	500 mm	19.7 in	520 mm	20.5 in	550 mm	21.7 in
H CHAINSTAY LENGTH	405 mm	15.9 in	405 mm	15.9 in	405 mm	15.9 in	405 mm	15.9 in	405 mm	15.9 in	405 mm	15.9 in	405 mm	15.9 in
I BB OFFSET	-67 mm	-2.6 in	-67 mm	-2.6 in	-67 mm	-2.6 in	-67 mm	-2.6 in	-67 mm	-2.6 in	-67 mm	-2.6 in	-67 mm	-2.6 in
J STANDOVER HEIGHT	717 mm	28.2 in	731 mm	28.8 in	755 mm	29.7 in	775 mm	30.5 in	794 mm	31.3 in	814 mm	32.0 in	838 mm	33.0 in
WHEELBASE	972 mm	38.3 in	978 mm	38.5 in	980 mm	38.6 in	979 mm	38.5 in	994 mm	39.1 in	1003 mm	39.5 in	1012 mm	39.8 in
K REACH	371 mm	14.6 in	379 mm	14.9 in	384 mm	15.1 in	385 mm	15.2 in	394 mm	15.5 in	400 mm	15.7 in	403 mm	15.9 in
L STACK	503 mm	19.8 in	509 mm	20.0 in	527 mm	20.7 in	549 mm	21.6 in	569 mm	22.4 in	589 mm	23.2 in	608 mm	23.9 in
STEM LENGTH	90 mm		100 mm		110 mm		110 mm		110 mm		120 mm		130 mm	

ADDICT



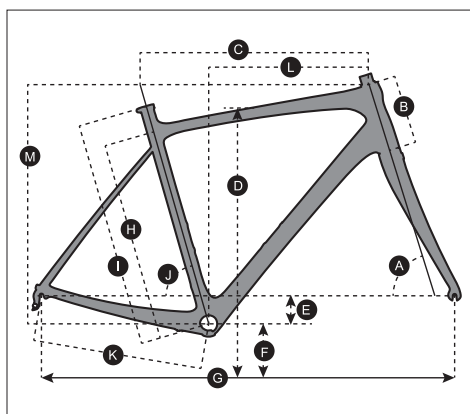
	XXS/47		XS/49		S/52		M/54		L/56		XL/58		XXL/61	
A HEAD TUBE ANGLE	70.5°		71.0°		72.0°		72.5°		73.0°		73.3°		73.3°	
B HEAD TUBE LENGTH	100.0 mm	3.9 in	105.0 mm	4.1 in	120.0 mm	4.7 in	140.0 mm	5.5 in	160.0 mm	6.3 in	180.0 mm	7.1 in	200.0 mm	7.9 in
C TOP TUBE HORIZONTAL	510.0 mm	20.1 in	520.0 mm	20.5 in	535.0 mm	21.1 in	550.0 mm	21.7 in	565.0 mm	22.2 in	580.0 mm	22.8 in	595.0 mm	23.4 in
D STANDOVER HEIGHT	721.8 mm	28.4 in	734.7 mm	28.9 in	757.4 mm	29.8 in	777.0 mm	30.6 in	796.6 mm	31.4 in	815.9 mm	32.1 in	839.1 mm	33.0 in
E BB OFFSET	-67.0 mm	-2.6 in	-67.0 mm	-2.6 in	-67.0 mm	-2.6 in	-67.0 mm	-2.6 in	-67.0 mm	-2.6 in	-67.0 mm	-2.6 in	-67.0 mm	-2.6 in
F BB HEIGHT	272.0 mm	10.7 in	272.0 mm	10.7 in	272.0 mm	10.7 in	272.0 mm	10.7 in	272.0 mm	10.7 in	272.0 mm	10.7 in	272.0 mm	10.7 in
G WHEEL BASE	972.0 mm	38.3 in	978.0 mm	38.5 in	980.1 mm	38.6 in	987.0 mm	38.9 in	994.2 mm	39.1 in	1'002.9 mm	39.5 in	1'012.0 mm	39.8 in
H BB CENTER TO TOPTUBE CENTER	410.0 mm	16.1 in	430.0 mm	16.9 in	460.0 mm	18.1 in	480.0 mm	18.9 in	500.0 mm	19.7 in	520.0 mm	20.5 in	550.0 mm	21.7 in
I BB CENTER TO TOP OF SEATTUBE	430.0 mm	16.9 in	450.0 mm	17.7 in	480.0 mm	18.9 in	500.0 mm	19.7 in	520.0 mm	20.5 in	540.0 mm	21.3 in	570.0 mm	22.4 in
J SEAT ANGLE	74.5°		74.5°		74.0°		73.6°		73.3°		73.0°		72.5°	
K CHAINSTAY	405.0 mm	15.9 in	405.0 mm	15.9 in	405.0 mm	15.9 in	405.0 mm	15.9 in	405.0 mm	15.9 in	405.0 mm	15.9 in	405.0 mm	15.9 in
L REACH	370.6 mm	14.6 in	378.8 mm	14.9 in	384.0 mm	15.1 in	388.9 mm	15.3 in	394.5 mm	15.5 in	400.1 mm	15.8 in	403.4 mm	15.9 in
M STACK	502.6 mm	19.8 in	509.0 mm	20.0 in	526.7 mm	20.7 in	547.5 mm	21.6 in	568.3 mm	22.4 in	588.5 mm	23.2 in	607.7 mm	23.9 in

ADDICT CX



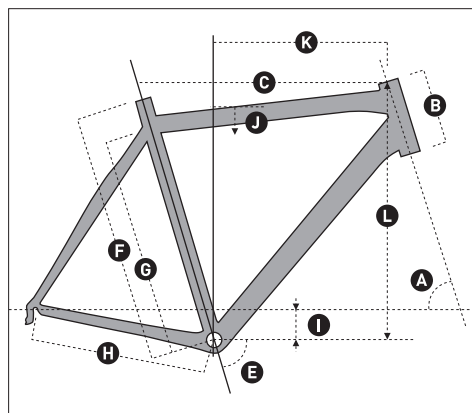
	XS		S		M		L		XL	
A HEAD TUBE ANGLE	70.0°		70.0°		71.0°		71.0°		71.1°	
B HEADTUBE LENGTH	105 mm	4.1 in	120 mm	4.7 in	140 mm	5.5 in	160 mm	6.3 in	180 mm	7.1 in
C TOPTUBE LENGTH HORIZONTAL	515 mm	20.3 in	525 mm	20.7 in	545 mm	21.5 in	555 mm	21.9 in	570 mm	22.4 in
E SEAT TUBE ANGLE	74.5°		74.0°		73.5°		73.0°		73.0°	
F BB CENTER TO TOP OF SEATTUBE	490 mm	19.3 in	520 mm	20.5 in	540 mm	21.3 in	560 mm	22.0 in	580 mm	22.8 in
G BB CENTER TO TOPTUBE CENTER	446.8 mm	17.6 in	462.9 mm	18.2 in	486.1 mm	19.1 in	507.5 mm	20.0 in	522.2 mm	20.6 in
H CHAINSTAY LENGTH	422 mm	16.6 in	422 mm	16.6 in	422 mm	16.6 in	422 mm	16.6 in	422 mm	16.6 in
I BB OFFSET	-65 mm	-2.6 in	-65 mm	-2.6 in	-68 mm	-2.7 in	-68 mm	-2.7 in	-68 mm	-2.7 in
J STANDOVER HEIGHT	747.7 mm	29.4 in	763.3 mm	30.1 in	783.4 mm	30.8 in	803.4 mm	31.6 in	820.3 mm	32.3 in
REACH	368.9 mm	14.5 in	369.9 mm	14.6 in	377.1 mm	14.9 in	381.9 mm	15.0 in	385.0 mm	15.2 in
STACK	527 mm	20.7 in	541.1 mm	21.3 in	566.8 mm	22.3 in	585.7 mm	23.1 in	605.0 mm	23.8 in

SOLACE



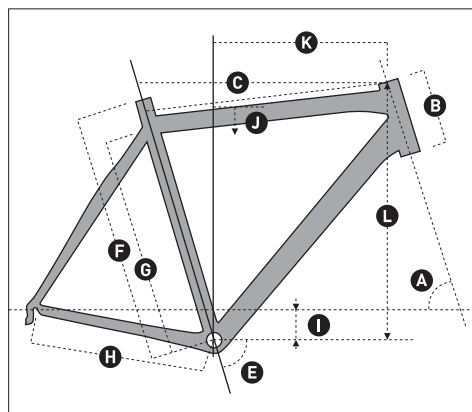
	XXS/47		XS/49		S/52		M/54		L/56		XL/58		XXL/61	
A HEAD TUBE ANGLE	70.5°		71.0°		72.0°		72.5°		73.0°		73.3°		73.3°	
B HEAD TUBE LENGTH	115.0 mm	4.5 in	125.0 mm	4.9 in	145.0 mm	5.7 in	165.0 mm	6.5 in	185.0 mm	7.3 in	205.0 mm	8.1 in	225.0 mm	8.9 in
C TOP TUBE HORIZONTAL	505.0 mm	19.9 in	515.0 mm	20.3 in	530.0 mm	20.9 in	545.0 mm	21.5 in	560.0 mm	22.0 in	575.0 mm	22.6 in	590.0 mm	23.2 in
D STANDOVER HEIGHT	725.3 mm	28.6 in	741.1 mm	29.2 in	767.5 mm	30.2 in	787.5 mm	31.0 in	807.5 mm	31.8 in	827.1 mm	32.6 in	851.4 mm	33.5 in
E BB OFFSET	-67.0 mm	-2.6 in	-67.0 mm	-2.6 in	-67.0 mm	-2.6 in	-67.0 mm	-2.6 in	-67.0 mm	-2.6 in	-67.0 mm	-2.6 in	-67.0 mm	-2.6 in
F BB HEIGHT	272.0 mm	10.7 in	272.0 mm	10.7 in	272.0 mm	10.7 in	272.0 mm	10.7 in	272.0 mm	10.7 in	272.0 mm	10.7 in	272.0 mm	10.7 in
G WHEEL BASE	973.1 mm	38.3 in	979.4 mm	38.6 in	981.2 mm	38.6 in	986.8 mm	38.9 in	991.6 mm	39.0 in	999.0 mm	39.3 in	1'012.7 mm	39.9 in
H BB CENTER TO TOPTUBE CENTER	410.0 mm	16.1 in	430.0 mm	16.9 in	460.0 mm	18.1 in	480.0 mm	18.9 in	500.0 mm	19.7 in	520.0 mm	20.5 in	550.0 mm	21.7 in
I BB CENTER TO TOP OF SEATTUBE	470.0 mm	18.5 in	490.0 mm	19.3 in	520.0 mm	20.5 in	540.0 mm	21.3 in	560.0 mm	22.0 in	580.0 mm	22.8 in	610.0 mm	24.0 in
J SEAT ANGLE	75.0°		75.0°		74.5°		74.0°		73.5°		73.1°		73.0°	
K CHAINSTAY	405.0 mm	15.9 in	405.0 mm	15.9 in	405.0 mm	15.9 in	405.0 mm	15.9 in	405.0 mm	15.9 in	405.0 mm	15.9 in	405.0 mm	15.9 in
L REACH	366.6 mm	14.4 in	373.5 mm	14.7 in	377.3 mm	14.9 in	381.2 mm	15.0 in	384.6 mm	15.1 in	389.0 mm	15.3 in	397.0 mm	15.6 in
M STACK	516.7 mm	20.3 in	527.9 mm	20.8 in	550.5 mm	21.7 in	571.3 mm	22.5 in	592.3 mm	23.3 in	612.5 mm	24.1 in	631.6 mm	24.9 in
N STEM LENGTH	72.3 mm	2.8 in	69.1 mm	2.7 in	62.8 mm	2.5 in	59.7 mm	2.4 in	56.6 mm	2.2 in	54.7 mm	2.2 in	54.7 mm	2.2 in

CR1



	XXS/47		XS/49		S/52		M/54		L/56		XL/58		XXL/61	
A head tube angle	70.5°		71.0°		73.0°		73.0°		73.0°		73.0°		73.0°	
B headtube length	111 mm	4.4 in	116 mm	4.6 in	136 mm	5.4 in	156 mm	6.1 in	176 mm	6.9 in	196 mm	7.7 in	216 mm	8.5 in
C toptube length horizontal	505 mm	19.9 in	515 mm	20.3 in	530 mm	20.9 in	545 mm	21.5 in	560 mm	22.0 in	575 mm	22.6 in	595 mm	23.4 in
E seat tube angle	75.0°		75.0°		74.5°		74.0°		73.5°		73.3°		73.3°	
F BB center to top of seattube	470 mm	18.5 in	490 mm	19.3 in	520 mm	20.5 in	540 mm	21.3 in	560 mm	22.0 in	580 mm	22.8 in	610 mm	24.0 in
G BB center to toptube center	410 mm	16.1 in	430 mm	16.9 in	460 mm	18.1 in	480 mm	18.9 in	500 mm	19.7 in	520 mm	20.5 in	550 mm	21.7 in
H chainstay length	405 mm	15.9 in	405 mm	15.9 in	405 mm	15.9 in	405 mm	15.9 in	405 mm	15.9 in	405 mm	15.9 in	405 mm	15.9 in
I BB offset	-67 mm	-2.6 in	-67 mm	-2.6 in	-67 mm	-2.6 in	-67 mm	-2.6 in	-67 mm	-2.6 in	-67 mm	-2.6 in	-67 mm	-2.6 in
J standover height	723 mm	28.5 in	737 mm	29.0 in	765 mm	30.1 in	784 mm	30.9 in	803 mm	31.6 in	823 mm	32.4 in	847 mm	33.3 in
wheelbase	975 mm	38.4 in	978 mm	38.5 in	980 mm	38.6 in	981 mm	38.6 in	992 mm	39.1 in	1001 mm	39.4 in	1021 mm	40.2 in
K reach	368 mm	14.5 in	376 mm	14.8 in	379 mm	14.9 in	383 mm	15.1 in	387 mm	15.2 in	394 mm	15.5 in	409 mm	16.1 in
L stack	513 mm	20.2 in	519 mm	20.4 in	545 mm	21.5 in	565 mm	22.2 in	584 mm	23.0 in	603 mm	23.7 in	620 mm	24.4 in
stem length	90 mm		100 mm		110 mm		110 mm		110 mm		120 mm		130 mm	

SPEEDSTER



	XXS/47		XS/49		S/52		M/54		L/56		XL/58		XXL/61	
A HEAD TUBE ANGLE	70.5°		71.0°		73.0°		73.0°		73.0°		73.0°		73.0°	
B HEADTUBE LENGTH	111 mm	4.4 in	116 mm	4.6 in	136 mm	5.4 in	156 mm	6.1 in	176 mm	6.9 in	196 mm	7.7 in	216 mm	8.5 in
C TOPTUBE LENGTH HORIZONTAL	505 mm	19.9 in	515 mm	20.3 in	530 mm	20.9 in	545 mm	21.5 in	560 mm	22.0 in	575 mm	22.6 in	595 mm	23.4 in
E SEAT TUBE ANGLE	75.0°		75.0°		74.5°		74.0°		73.5°		73.3°		73.3°	
F BB CENTER TO TOP OF SEATTUBE	470 mm	18.5 in	490 mm	19.3 in	520 mm	20.5 in	540 mm	21.3 in	560 mm	22.0 in	580 mm	22.8 in	610 mm	24.0 in
G BB CENTER TO TOPTUBE CENTER	410 mm	16.1 in	430 mm	16.9 in	460 mm	18.1 in	480 mm	18.9 in	500 mm	19.7 in	520 mm	20.5 in	550 mm	21.7 in
H CHAINSTAY LENGTH	405 mm	15.9 in	405 mm	15.9 in	405 mm	15.9 in	405 mm	15.9 in	405 mm	15.9 in	405 mm	15.9 in	405 mm	15.9 in
I BB OFFSET	-67 mm	-2.6 in	-67 mm	-2.6 in	-67 mm	-2.6 in	-67 mm	-2.6 in	-67 mm	-2.6 in	-67 mm	-2.6 in	-67 mm	-2.6 in
J STANDOVER HEIGHT	722 mm	28.4 in	736 mm	29.0 in	763 mm	30.0 in	782 mm	30.8 in	802 mm	31.6 in	820 mm	32.3 in	845 mm	33.3 in
WHEELBASE	973 mm	38.3 in	979 mm	38.5 in	971 mm	38.2 in	982 mm	38.7 in	992 mm	39.1 in	1004 mm	39.5 in	1025 mm	40.4 in
STEM LENGTH	90 mm		100 mm		100 mm		110 mm		110 mm		120 mm		120 mm	

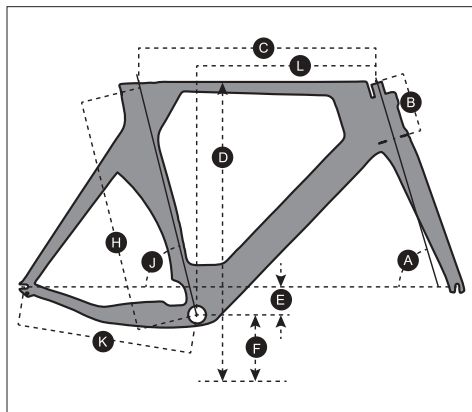


ヨーロッパのバイク市場に於いて、トップシェアを誇る SCOTT だから成し得る、日本限定のジャパン・スペックモデル。日本人の体型に合わせてサイズやパーツを変更した、安全で快適なバイクとして乗りやすさを追求しています。

JAPAN SPEC

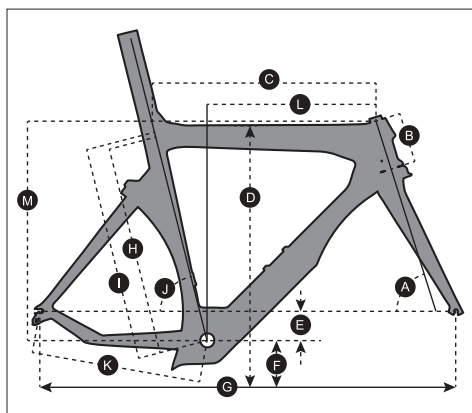
	Size	Crankarm		Stem	Bar
		25/35	45/55	25/35/45/55	25/35/45/55
SPEEDSTER25	XXS/47	165	170	80	380
SPEEDSTER35	XS/49	170	170	80	380
SPEEDSTER45	S/52	170	170	90	400
SPEEDSTER55	M/54	172.5	170	100	420
	L/56	172.5	175	100	420
	XL/58	175	175	120	420

PLASMA 3



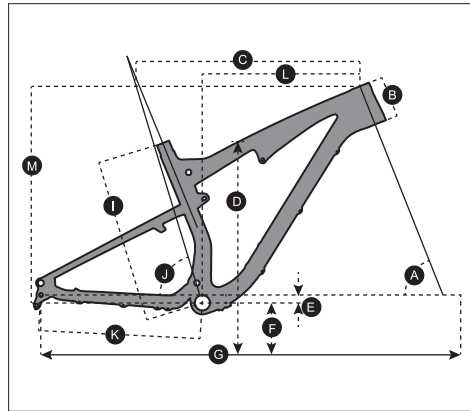
	S/52		M/54		L/56	
A HEAD TUBE ANGLE	72.5 °		73.0 °		73.0 °	
B HEAD TUBE LENGTH	108.0 mm	4.3 in	138.0 mm	5.4 in	169.0 mm	6.7 in
C TOP TUBE HORIZONTAL	517.0 mm	20.4 in	550.0 mm	21.7 in	572.0 mm	22.5 in
D STANDOVER HEIGHT	780.0 mm	30.7 in	810.0 mm	31.9 in	840.0 mm	33.1 in
E BB OFFSET	-65.0 mm	-2.6 in	-65.0 mm	-2.6 in	-65.0 mm	-2.6 in
F BB HEIGHT	274.0 mm	10.8 in	274.0 mm	10.8 in	274.0 mm	10.8 in
H BB CENTER TO TOPTUBE CENTER	510.0 mm	20.1 in	540.0 mm	21.3 in	570.0 mm	22.4 in
J SEAT ANGLE	76.0 °		76.0 °		76.0 °	
K CHAINSTAY	405.0 mm	15.9 in	405.0 mm	15.9 in	405.0 mm	15.9 in
L REACH	390.0 mm	15.4 in	415.0 mm	16.3 in	430.0 mm	16.9 in
N STEM LENGTH	75.0 mm	3.0 in	75.0 mm	3.0 in	90.0 mm	3.5 in

PLASMA 2



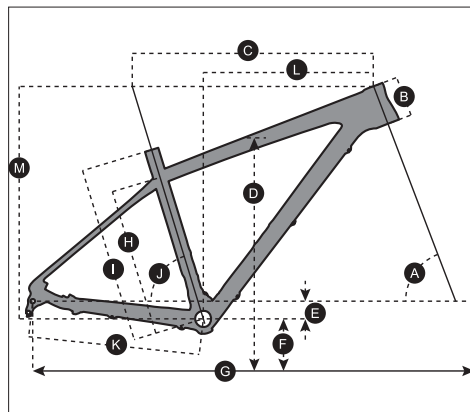
	XXS/47		XS/49		S/52		M/54		L/56	
A HEAD TUBE ANGLE	71.0 °		71.5 °		72.0 °		72.5 °		72.5 °	
B HEAD TUBE LENGTH	90.0 mm	3.5 in	100.0 mm	3.9 in	110.0 mm	4.3 in	120.0 mm	4.7 in	140.0 mm	5.5 in
C TOP TUBE HORIZONTAL	490.0 mm	19.3 in	505.0 mm	19.9 in	520.0 mm	20.5 in	535.0 mm	21.1 in	552.0 mm	21.7 in
D STANDOVER HEIGHT	720.0 mm	28.3 in	739.0 mm	29.1 in	759.0 mm	29.9 in	779.0 mm	30.7 in	798.0 mm	31.4 in
E BB OFFSET	-70.0 mm	-2.8 in	-70.0 mm	-2.8 in	-70.0 mm	-2.8 in	-70.0 mm	-2.8 in	-70.0 mm	-2.8 in
F BB HEIGHT	269.0 mm	10.6 in	269.0 mm	10.6 in	269.0 mm	10.6 in	269.0 mm	10.6 in	269.0 mm	10.6 in
G WHEEL BASE	960.0 mm	37.8 in	972.0 mm	38.3 in	938.0 mm	36.9 in	995.0 mm	39.2 in	1'013.0 mm	39.9 in
H BB CENTER TO TOPTUBE CENTER	465.0 mm	18.3 in	476.0 mm	18.7 in	488.0 mm	19.2 in	499.0 mm	19.6 in	519.0 mm	20.4 in
I BB CENTER TO TOP OF SEATTUBE	480.0 mm	18.9 in	491.0 mm	19.3 in	503.0 mm	19.8 in	514.0 mm	20.2 in	533.0 mm	21.0 in
J SEAT ANGLE	76.0 °		76.0 °		76.0 °		76.0 °		76.0 °	
K CHAINSTAY	406.0 mm	16.0 in	406.0 mm	16.0 in	406.0 mm	16.0 in	406.0 mm	16.0 in	406.0 mm	16.0 in
L REACH	367.5 mm	14.5 in	379.7 mm	15.0 in	391.9 mm	15.4 in	404.2 mm	15.9 in	416.4 mm	16.4 in
M STACK	491.2 mm	19.3 in	502.4 mm	19.8 in	513.6 mm	20.2 in	524.8 mm	20.7 in	543.8 mm	21.4 in
N STEM LENGTH	70.0 mm	2.8 in	70.0 mm	2.8 in	70.0 mm	2.8 in	80.0 mm	3.1 in	90.0 mm	3.5 in

SPARK 700



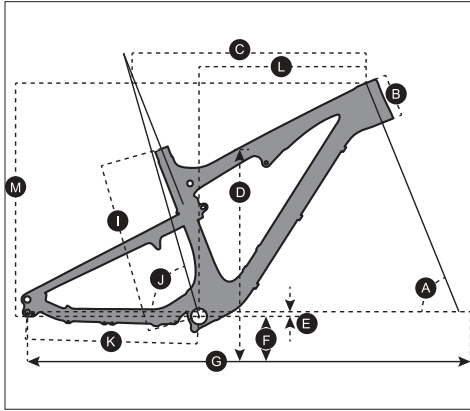
	S		S		M		M		L		L		XL		XL	
	LOW BB SETTING		HIGH BB SETTING		LOW BB SETTING		HIGH BB SETTING		LOW BB SETTING		HIGH BB SETTING		LOW BB SETTING		HIGH BB SETTING	
A HEAD TUBE ANGLE	68.3°		68.8°		68.3°		68.8°		68.3°		68.8°		68.3°		68.8°	
B HEAD TUBE LENGTH	105.0 mm	4.1 in	105.0 mm	4.1 in	110.0 mm	4.3 in	110.0 mm	4.3 in	120.0 mm	4.7 in	120.0 mm	4.7 in	135.0 mm	5.3 in	135.0 mm	5.3 in
C TOP TUBE HORIZONTAL	570.0 mm	22.4 in	568.5 mm	22.4 in	600.0 mm	23.6 in	598.5 mm	23.6 in	625.0 mm	24.6 in	623.5 mm	24.5 in	650.0 mm	25.6 in	648.6 mm	25.5 in
D STANDOVER HEIGHT	761.7 mm	30.0 in	764.4 mm	30.1 in	763.3 mm	30.1 in	766.2 mm	30.2 in	794.6 mm	31.3 in	798.0 mm	31.4 in	823.9 mm	32.4 in	827.6 mm	32.6 in
E BB OFFSET	-21.5 mm	-0.8 in	-15.5 mm	-0.6 in	-21.5 mm	-0.8 in	-15.5 mm	-0.6 in	-21.5 mm	-0.8 in	-15.5 mm	-0.6 in	-21.5 mm	-0.8 in	-15.5 mm	-0.6 in
F BB HEIGHT	330.0 mm	13.0 in	336.0 mm	13.2 in	330.0 mm	13.0 in	336.0 mm	13.2 in	330.0 mm	13.0 in	336.0 mm	13.2 in	330.0 mm	13.0 in	336.0 mm	13.2 in
G WHEEL BASE	1'094.0 mm	43.1 in	1'094.0 mm	43.1 in	1'125.0 mm	44.3 in	1'125.0 mm	44.3 in	1'150.0 mm	45.3 in	1'150.0 mm	45.3 in	1'177.0 mm	46.3 in	1'177.0 mm	46.3 in
I BB CENTER TO TOP OF SEATTUBE	412.0 mm	16.2 in	412.0 mm	16.2 in	440.0 mm	17.3 in	440.0 mm	17.3 in	490.0 mm	19.3 in	490.0 mm	19.3 in	530.0 mm	20.9 in	530.0 mm	20.9 in
J SEAT ANGLE	73.0°		73.0°		73.0°		73.0°		73.0°		73.0°		73.0°		73.0°	
K CHAINSTAY	433.0 mm	17.0 in	433.0 mm	17.0 in	433.0 mm	17.0 in	433.0 mm	17.0 in	433.0 mm	17.0 in	433.0 mm	17.0 in	433.0 mm	17.0 in	433.0 mm	17.0 in
L REACH	394.0 mm	15.5 in	398.9 mm	15.7 in	422.6 mm	16.6 in	427.4 mm	16.8 in	444.7 mm	17.5 in	449.5 mm	17.7 in	465.5 mm	18.3 in	469.9 mm	18.5 in
M STACK	575.7 mm	22.7 in	572.3 mm	22.5 in	580.4 mm	22.9 in	576.8 mm	22.7 in	589.7 mm	23.2 in	586.1 mm	23.1 in	603.6 mm	23.8 in	600.2 mm	23.6 in
N STEM LENGTH	70.0 mm	2.8 in	70.0 mm	2.8 in	80.0 mm	3.1 in	80.0 mm	3.1 in	90.0 mm	3.5 in	90.0 mm	3.5 in	100.0 mm	3.9 in	100.0 mm	3.9 in

SCALE 700



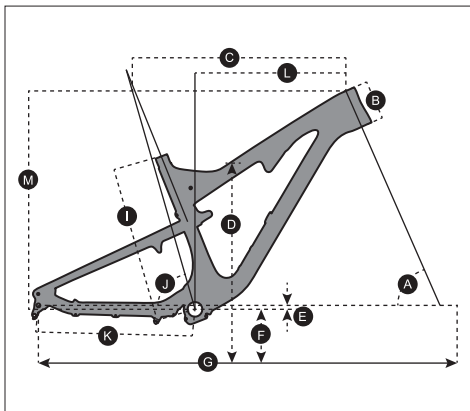
	S		M		L		XL	
	A HEAD TUBE ANGLE	69.0°		69.0°		69.0°		69.0°
B HEAD TUBE LENGTH	100.0 mm	3.9 in	100.0 mm	3.9 in	115.0 mm	4.5 in	125.0 mm	4.9 in
C TOP TUBE HORIZONTAL	575.0 mm	22.6 in	600.0 mm	23.6 in	625.0 mm	24.6 in	650.0 mm	25.6 in
D STANDOVER HEIGHT	728.9 mm	28.7 in	758.0 mm	29.8 in	786.8 mm	31.0 in	819.7 mm	32.3 in
E BB OFFSET	-44.0 mm	-1.7 in	-44.0 mm	-1.7 in	-44.0 mm	-1.7 in	-44.0 mm	-1.7 in
F BB HEIGHT	307.5 mm	12.1 in	307.5 mm	12.1 in	307.5 mm	12.1 in	307.5 mm	12.1 in
G WHEEL BASE	1'075.2 mm	42.3 in	1'100.2 mm	43.3 in	1'126.3 mm	44.3 in	1'152.0 mm	45.4 in
H BB CENTER TO TOPTUBE CENTER	315.8 mm	12.4 in	369.3 mm	14.5 in	409.3 mm	16.1 in	458.2 mm	18.0 in
I BB CENTER TO TOP OF SEATTUBE	390.0 mm	15.4 in	440.0 mm	17.3 in	480.0 mm	18.9 in	530.0 mm	20.9 in
J SEAT ANGLE	73.0°		73.0°		73.0°		73.0°	
K CHAINSTAY	427.0 mm	16.8 in	427.0 mm	16.8 in	427.0 mm	16.8 in	427.0 mm	16.8 in
L REACH	398.1 mm	15.7 in	423.1 mm	16.7 in	443.8 mm	17.5 in	466.0 mm	18.3 in
M STACK	578.6 mm	22.8 in	578.6 mm	22.8 in	592.6 mm	23.3 in	601.9 mm	23.7 in
N STEM LENGTH	70.0 mm	2.8 in	80.0 mm	3.1 in	90.0 mm	3.5 in	100.0 mm	3.9 in

GENIUS 700



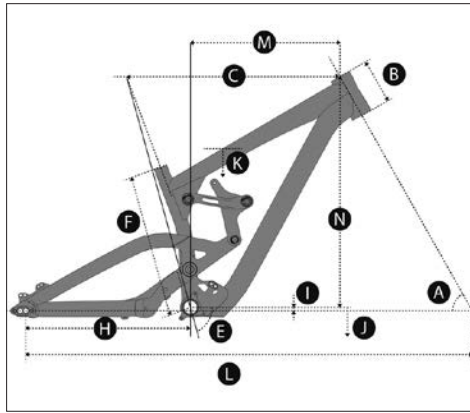
	S		S		M		M		L		L		XL		XL	
	LOW BB SETTING		HIGH BB SETTING		LOW BB SETTING		HIGH BB SETTING		LOW BB SETTING		HIGH BB SETTING		LOW BB SETTING		HIGH BB SETTING	
A HEAD TUBE ANGLE	67.9°		68.4°		67.9°		68.4°		67.9°		68.4°		67.9°		68.4°	
B HEAD TUBE LENGTH	100.0 mm	3.9 in	100.0 mm	3.9 in	110.0 mm	4.3 in	110.0 mm	4.3 in	120.0 mm	4.7 in	120.0 mm	4.7 in	135.0 mm	5.3 in	135.0 mm	5.3 in
C TOP TUBE HORIZONTAL	569.9 mm	22.4 in	568.6 mm	22.4 in	599.9 mm	23.6 in	598.6 mm	23.6 in	624.9 mm	24.6 in	623.6 mm	24.6 in	649.9 mm	25.6 in	648.6 mm	25.5 in
D STANDOVER HEIGHT	773.1 mm	30.4 in	775.9 mm	30.5 in	774.6 mm	30.5 in	777.6 mm	30.6 in	807.0 mm	31.8 in	810.4 mm	31.9 in	809.0 mm	31.9 in	812.4 mm	32.0 in
E BB OFFSET	-11.6 mm	-0.5 in	-6.1 mm	-0.2 in	-11.6 mm	-0.5 in	-6.1 mm	-0.2 in	-11.6 mm	-0.5 in	-6.1 mm	-0.2 in	-11.6 mm	-0.5 in	-6.1 mm	-0.2 in
F BB HEIGHT	344.9 mm	13.6 in	350.4 mm	13.8 in	344.9 mm	13.6 in	350.4 mm	13.8 in	344.9 mm	13.6 in	350.4 mm	13.8 in	344.9 mm	13.6 in	350.4 mm	13.8 in
G WHEEL BASE	1'122.7 mm	44.2 in	1'121.8 mm	44.2 in	1'153.8 mm	45.4 in	1'152.9 mm	45.4 in	1'179.9 mm	46.5 in	1'179.0 mm	46.4 in	1'206.6 mm	47.5 in	1'205.7 mm	47.5 in
J BB CENTER TO TOP OF SEATTUBE	415.0 mm	16.3 in	415.0 mm	16.3 in	440.0 mm	17.3 in	440.0 mm	17.3 in	475.0 mm	18.7 in	475.0 mm	18.7 in	510.0 mm	20.1 in	510.0 mm	20.1 in
J SEAT ANGLE	74.0°		74.5°		74.0°		74.5°		74.0°		74.5°		74.0°		74.5°	
K CHAINSTAY	439.0 mm	17.3 in	439.0 mm	17.3 in	439.0 mm	17.3 in	439.0 mm	17.3 in	439.0 mm	17.3 in	439.0 mm	17.3 in	439.0 mm	17.3 in	439.0 mm	17.3 in
L REACH	401.4 mm	15.8 in	406.1 mm	16.0 in	428.7 mm	16.9 in	433.4 mm	17.1 in	451.1 mm	17.8 in	455.7 mm	17.9 in	472.1 mm	18.6 in	476.7 mm	18.8 in
M STACK	588.8 mm	23.2 in	585.5 mm	23.1 in	598.1 mm	23.5 in	594.7 mm	23.4 in	607.3 mm	23.9 in	603.9 mm	23.8 in	621.2 mm	24.5 in	617.7 mm	24.3 in
N STEM LENGTH	60.0 mm	2.4 in	60.0 mm	2.4 in	70.0 mm	2.8 in	70.0 mm	2.8 in	80.0 mm	3.1 in	80.0 mm	3.1 in	90.0 mm	3.5 in	90.0 mm	3.5 in

GENIUS LT 700



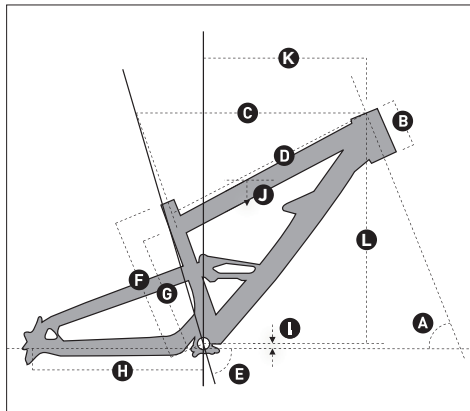
	S		S		M		M		L		L	
	LOW BB SETTING		HIGH BB SETTING		LOW BB SETTING		HIGH BB SETTING		LOW BB SETTING		HIGH BB SETTING	
A HEAD TUBE ANGLE	66.3°		66.8°		66.3°		66.8°		66.3°		66.8°	
B HEAD TUBE LENGTH	100.0 mm	3.9 in	100.0 mm	3.9 in	110.0 mm	4.3 in	110.0 mm	4.3 in	120.0 mm	4.7 in	120.0 mm	4.7 in
C TOP TUBE HORIZONTAL	570.0 mm	22.4 in	568.7 mm	22.4 in	600.0 mm	23.6 in	598.7 mm	23.6 in	625.0 mm	24.6 in	623.6 mm	24.6 in
D STANDOVER HEIGHT	760.6 mm	29.9 in	763.3 mm	30.1 in	758.4 mm	29.9 in	761.3 mm	30.0 in	757.2 mm	29.8 in	760.3 mm	29.9 in
E BB OFFSET	-11.0 mm	-0.4 in	-5.2 mm	-0.2 in	-11.0 mm	-0.4 in	-5.2 mm	-0.2 in	-11.0 mm	-0.4 in	-5.2 mm	-0.2 in
F BB HEIGHT	346.0 mm	13.6 in	351.8 mm	13.9 in	346.0 mm	13.6 in	351.8 mm	13.9 in	346.0 mm	13.6 in	351.8 mm	13.9 in
G WHEEL BASE	1'145.0 mm	45.1 in	1'144.0 mm	45.0 in	1'176.4 mm	46.3 in	1'175.4 mm	46.3 in	1'202.8 mm	47.4 in	1'201.8 mm	47.3 in
J BB CENTER TO TOP OF SEATTUBE	415.0 mm	16.3 in	415.0 mm	16.3 in	440.0 mm	17.3 in	440.0 mm	17.3 in	475.0 mm	18.7 in	475.0 mm	18.7 in
J SEAT ANGLE	74.0°		74.5°		74.0°		74.5°		74.0°		74.5°	
K CHAINSTAY	440.0 mm	17.3 in	438.8 mm	17.3 in	440.0 mm	17.3 in	438.8 mm	17.3 in	440.0 mm	17.3 in	438.8 mm	17.3 in
L REACH	396.6 mm	15.6 in	401.5 mm	15.8 in	424.0 mm	16.7 in	428.9 mm	16.9 in	446.4 mm	17.6 in	451.2 mm	17.8 in
M STACK	604.5 mm	23.8 in	601.2 mm	23.7 in	613.6 mm	24.2 in	610.2 mm	24.0 in	622.8 mm	24.5 in	619.3 mm	24.4 in
N STEM LENGTH	50.0 mm	2.0 in	50.0 mm	2.0 in	50.0 mm	2.0 in	50.0 mm	2.0 in	60.0 mm	2.4 in	60.0 mm	2.4 in

GAMBLER



	S		S		M		M		L		L	
	LOW POSITION		HIGH POSITION		LOW POSITION		HIGH POSITION		LOW POSITION		HIGH POSITION	
A HEAD TUBE ANGLE	62.0°		62.7°		62.0°		62.7°		62.0°		62.7°	
B HEADTUBE LENGTH	115.0 mm	4.5 in	115.0 mm	4.5 in	115.0 mm	4.5 in	115.0 mm	4.5 in	115.0 mm	4.5 in	115.0 mm	4.5 in
C TOPTUBE LENGTH HORIZONTAL	525.0 mm	22.7 in	522.0 mm	20.6 in	550.0 mm	21.7 in	547.0 mm	21.5 in	584.5 mm	23.0 in	582.0 mm	22.9 in
E SEAT TUBE ANGLE	75.6°		76.5°		75.6°		76.5°		75.6°		76.5°	
F BB CENTER TO TOP OF SEATTUBE	370.0 mm	14.6 in	370.0 mm	14.6 in	370.0 mm	14.6 in	370.0 mm	14.6 in	370.0 mm	14.6 in	370.0 mm	14.6 in
H CHAINSTAY LENGTH	425 mm	16.7 in	421.5 mm	16.6 in	425 mm	16.7 in	421.5 mm	16.6 in	425 mm	16.7 in	421.5 mm	16.6 in
	440 mm	17.3 in	436.5 mm	17.2 in	440 mm	17.3 in	436.5 mm	17.2 in	440 mm	17.3 in	436.5 mm	17.2 in
I BB OFFSET	0.0 mm	0.0 in	+ 9.5 mm	0.4 in	0.0 mm	0.0 in	+ 9.5 mm	0.4 in	0.0 mm	0.0 in	+ 9.5 mm	0.4 in
J BB HEIGHT	345.0 mm	13.6 in	354.5 mm	14.0 in	345.0 mm	13.6 in	354.5 mm	14.0 in	345.0 mm	13.6 in	354.5 mm	14.0 in
K STANDOVER HEIGHT	762.6 mm	30.0 in	767.6 mm	30.2 in	758.0 mm	29.8 in	763.5 mm	30.1 in	754.0 mm	29.7 in	760.0 mm	29.9 in
L WHEELBASE	1160 mm	45.7 in	1156 mm	45.5 in	1185 mm	46.7 in	1181 mm	46.5 in	1210 mm	47.6 in	1206 mm	47.5 in
	1175 mm	46.3 in	1171 mm	46.1 in	1200 mm	47.2 in	1196 mm	47.1 in	1225 mm	48.2 in	1221 mm	48.1 in
M REACH	374.0 mm	14.7 in	381.5 mm	15.0 in	399.0 mm	15.7 in	406.0 mm	16.0 in	434.0 mm	17.1 in	441.0 mm	17.4 in
N STACK	589.0 mm	23.2 in	593.0 mm	23.3 in	589.0 mm	23.2 in	593.0 mm	23.3 in	589.0 mm	23.2 in	593.0 mm	23.3 in

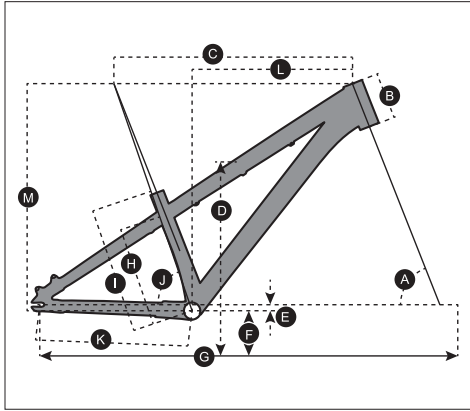
VOLTAGE FR



	SHORT		LONG	
	A HEAD TUBE ANGLE	65.0°		65.0°
B HEADTUBE LENGTH	118 mm	4.6 in	118 mm	4.6 in
C TOPTUBE LENGTH HORIZONTAL	558 mm	21.9 in	583 mm	22.9 in
D TOPTUBE LENGTH ACTUAL	535 mm	21.0 in	556 mm	21.9 in
E SEAT TUBE ANGLE	73.3°		73.3°	
F BB CENTER TO TOP OF SEATTUBE	367 mm	14.4 in	367 mm	14.4 in
G BB CENTER TO TOPTUBE CENTER	307 mm	12.1 in	307 mm	12.1 in
H CHAINSTAY LENGTH **	425 mm	16.7 in	425 mm	16.7 in
I BB OFFSET	3 mm	0.1 in	3 mm	0.1 in
BB HEIGHT	348 mm	13.7 in	348 mm	13.7 in
J STANDOVER HEIGHT	770 mm	30.2 in	765 mm	30.2 in
WHEELBASE	1132 mm	44.6 in	1157 mm	45.6 in
K REACH	379 mm	14.9 in	404 mm	15.9 in
L STACK	600 mm	23.6 in	600 mm	23.6 in
STEM LENGTH	40 mm		40 mm	

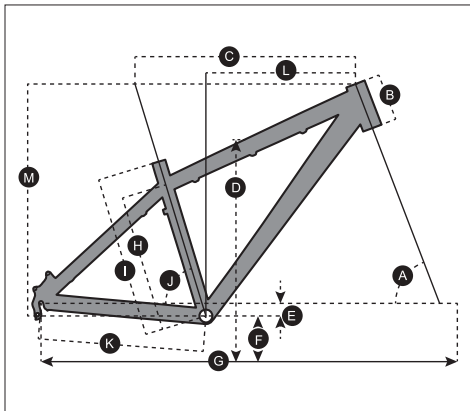
** All measurements are done with 0mm dropouts.
Chainstay length adjustable with different dropouts : -10mm / 0mm / +10 mm

VOLTAGE 26" (0.1 / 0.2)



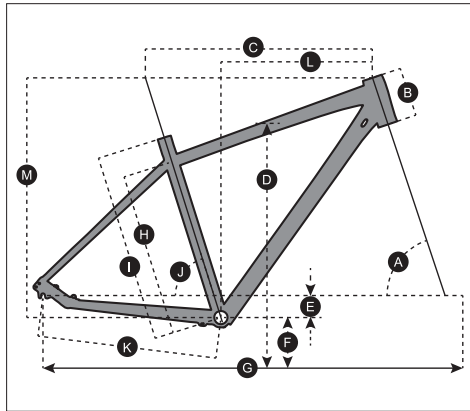
	M
A HEAD TUBE ANGLE	68.5°
B HEAD TUBE LENGTH	120.0 mm 4.7 in
C TOP TUBE HORIZONTAL	600.0 mm 23.6 in
D STANDOVER HEIGHT	702.0 mm 27.6 in
E BB OFFSET	-15.0 mm -0.6 in
F BB HEIGHT	324.0 mm 12.8 in
G WHEEL BASE	1'047.0 mm 41.2 in
H BB CENTER TO TOPTUBE CENTER	261.1 mm 10.3 in
I BB CENTER TO TOP OF SEATTUBE	315.0 mm 12.4 in
J SEAT ANGLE	71.0°
K CHAINSTAY	380.0 mm 15.0 in
L REACH	403.4 mm 15.9 in
M STACK	570.9 mm 22.5 in

VOLTAGE 26"



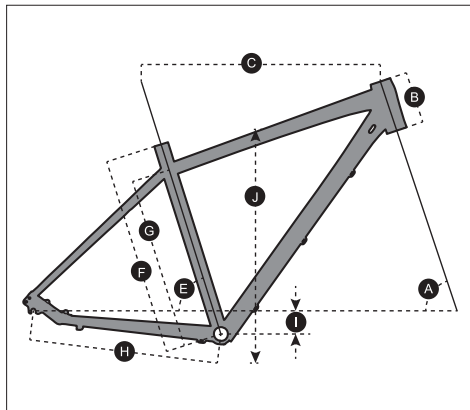
	XS	S	M	L	XL
A HEAD TUBE ANGLE	68.5°	69.0°	69.0°	69.5°	69.5°
B HEAD TUBE LENGTH	100.0 mm 3.9 in	110.0 mm 4.3 in	120.0 mm 4.7 in	135.0 mm 5.3 in	150.0 mm 5.9 in
C TOP TUBE HORIZONTAL	540.0 mm 21.3 in	550.0 mm 21.7 in	560.0 mm 22.0 in	570.0 mm 22.4 in	585.0 mm 23.0 in
D STANDOVER HEIGHT	684.0 mm 26.9 in	715.0 mm 28.1 in	746.0 mm 29.4 in	786.0 mm 30.9 in	823.0 mm 32.4 in
E BB OFFSET	-32.0 mm -1.3 in	-32.0 mm -1.3 in	-32.0 mm -1.3 in	-32.0 mm -1.3 in	-32.0 mm -1.3 in
F BB HEIGHT	307.0 mm 12.1 in	307.0 mm 12.1 in	307.0 mm 12.1 in	307.0 mm 12.1 in	307.0 mm 12.1 in
G WHEEL BASE	1'052.0 mm 41.4 in	1'052.0 mm 41.4 in	1'058.0 mm 41.7 in	1'063.0 mm 41.9 in	1'079.0 mm 42.5 in
H BB CENTER TO TOPTUBE CENTER	280.0 mm 11.0 in	320.0 mm 12.6 in	360.0 mm 14.2 in	410.0 mm 16.1 in	460.0 mm 18.1 in
I BB CENTER TO TOP OF SEATTUBE	330.0 mm 13.0 in	370.0 mm 14.6 in	410.0 mm 16.1 in	460.0 mm 18.1 in	510.0 mm 20.1 in
J SEAT ANGLE	74.0°	73.5°	73.0°	73.0°	73.0°
K CHAINSTAY	420.0 mm 16.5 in	420.0 mm 16.5 in	420.0 mm 16.5 in	420.0 mm 16.5 in	420.0 mm 16.5 in
L REACH	377.0 mm 14.8 in	378.0 mm 14.9 in	380.0 mm 15.0 in	385.0 mm 15.2 in	396.0 mm 15.6 in
M STACK	568.0 mm 22.4 in	580.0 mm 22.8 in	589.0 mm 23.2 in	606.0 mm 23.9 in	620.0 mm 24.4 in

ASPECT 700



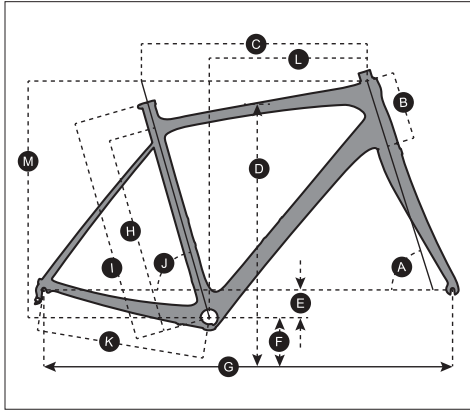
	S		M		L		XL	
A HEAD TUBE ANGLE	69.0°		69.0°		69.0°		69.0°	
B HEAD TUBE LENGTH	100.0 mm	3.9 in	110.0 mm	4.3 in	125.0 mm	4.9 in	140.0 mm	5.5 in
C TOP TUBE HORIZONTAL	575.0 mm	22.6 in	585.0 mm	23.0 in	610.0 mm	24.0 in	635.0 mm	25.0 in
D STANDOVER HEIGHT								
E BB OFFSET	-44.0 mm	-1.7 in	-44.0 mm	-1.7 in	-44.0 mm	-1.7 in	-44.0 mm	-1.7 in
F BB HEIGHT	295.0 mm	11.6 in	295.0 mm	11.6 in	295.0 mm	11.6 in	295.0 mm	11.6 in
G WHEEL BASE	1'075.0 mm	42.3 in	1'085.0 mm	42.7 in	1'111.0 mm	43.7 in	1'137.0 mm	44.8 in
H BB CENTER TO TOPTUBE CENTER								
I BB CENTER TO TOP OF SEATTUBE	395.0 mm	15.6 in	440.0 mm	17.3 in	480.0 mm	18.9 in	530.0 mm	20.9 in
J SEAT ANGLE	73.0°		73.0°		73.0°		73.0°	
K CHAINSTAY	427.0 mm	16.8 in	427.0 mm	16.8 in	427.0 mm	16.8 in	427.0 mm	16.8 in
L REACH	398.0 mm	15.7 in	405.3 mm	16.0 in	426.0 mm	16.8 in	446.7 mm	17.6 in
M STACK	578.6 mm	22.8 in	587.9 mm	23.1 in	601.9 mm	23.7 in	615.9 mm	24.2 in
N STEM LENGTH	70.0 mm	2.8 in	80.0 mm	3.1 in	90.0 mm	3.5 in	100.0 mm	3.9 in

SUB SPEED 40 & SUB 40



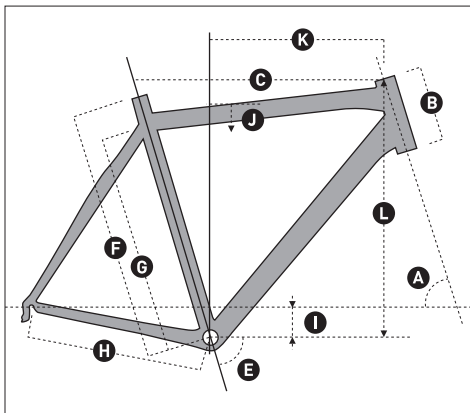
	S		M		L		XL	
A HEAD TUBE ANGLE	70.5°		71.0°		71.5°		72.0°	
B HEADTUBE LENGTH	145 mm	5.7 in	155 mm	6.1 in	175 mm	6.9 in	195 mm	7.7 in
C TOPTUBE LENGTH HORIZONTAL	555 mm	21.9 in	567 mm	22.3 in	577 mm	22.7 in	592 mm	23.3 in
E SEAT TUBE ANGLE	73.5°		73.0°		72.5°		72.5°	
F BB CENTER TO TOP OF SEATTUBE	440 mm	17.3 in	480 mm	18.9 in	520 mm	20.5 in	550 mm	21.7 in
G BB CENTER TO TOPTUBE CENTER	373 mm	14.7 in	414 mm	16.3 in	454 mm	17.9 in	484 mm	19.1 in
H CHAINSTAY LENGTH	456 mm	18.0 in	456 mm	18.0 in	456 mm	18.0 in	456 mm	18.0 in
I BB OFFSET	-60 mm	-2.4 in	-60 mm	-2.4 in	-60 mm	-2.4 in	-60 mm	-2.4 in
J STANDOVER HEIGHT	735 mm	28.9 in	763 mm	30.0 in	795 mm	31.3 in	821 mm	32.3 in
WHEELBASE	1073 mm	42.2 in	1074 mm	42.3 in	1075 mm	42.3 in	1080 mm	42.5 in
STEM LENGTH	90 mm		90 mm		100 mm		100 mm	

CONTESSA SOLACE



	XXS/46		XS/48		S/51	
A HEAD TUBE ANGLE	70.5°		71.0°		72.0°	
B HEAD TUBE LENGTH	125.0 mm	4.9 in	135.0 mm	5.3 in	155.0 mm	6.1 in
C TOP TUBE HORIZONTAL	495.0 mm	19.5 in	505.0 mm	19.9 in	520.0 mm	20.5 in
D STANDOVER HEIGHT	725.1 mm	28.5 in	740.8 mm	29.2 in	767.4 mm	30.2 in
E BB OFFSET	-67.0 mm	-2.6 in	-67.0 mm	-2.6 in	-67.0 mm	-2.6 in
F BB HEIGHT	272.0 mm	10.7 in	272.0 mm	10.7 in	272.0 mm	10.7 in
G WHEEL BASE	967.7 mm	38.1 in	970.8 mm	38.2 in	971.6 mm	38.3 in
H BB CENTER TO TOPTUBE CENTER	400.0 mm	15.7 in	420.0 mm	16.5 in	450.0 mm	17.7 in
I BB CENTER TO TOP OF SEATTUBE	460.0 mm	18.1 in	480.0 mm	18.9 in	510.0 mm	20.1 in
J SEAT ANGLE	75.0°		75.0°		74.5°	
K CHAINSTAY	405.0 mm	15.9 in	405.0 mm	15.9 in	405.0 mm	15.9 in
L REACH	354.0 mm	13.9 in	361.0 mm	14.2 in	364.7 mm	14.4 in
M STACK	526.1 mm	20.7 in	537.4 mm	21.2 in	560.0 mm	22.0 in

CONTESSA



CR1

	XXS/47		XS/49		S/52	
A HEAD TUBE ANGLE	70.5°		71.0°		73.0°	
B HEADTUBE LENGTH	111 mm	4.4 in	116 mm	4.6 in	136 mm	5.4 in
C TOPTUBE LENGTH HORIZONTAL	505 mm	19.9 in	515 mm	20.3 in	530 mm	20.9 in
E SEAT TUBE ANGLE	75.0°		75.0°		74.5°	
F BB CENTER TO TOP OF SEATTUBE	470 mm	18.5 in	490 mm	19.3 in	520 mm	20.5 in
G BB CENTER TO TOPTUBE CENTER	410 mm	16.1 in	430 mm	16.9 in	460 mm	18.1 in
H CHAINSTAY LENGTH	405 mm	15.9 in	405 mm	15.9 in	405 mm	15.9 in
I BB OFFSET	-67 mm	-2.6 in	-67 mm	-2.6 in	-67 mm	-2.6 in
J STANDOVER HEIGHT	723 mm	28.5 in	737 mm	29.0 in	765 mm	30.1 in
WHEELBASE	975 mm	38.4 in	978 mm	38.5 in	980 mm	38.6 in
K REACH	368 mm	14.5 in	376 mm	14.8 in	379 mm	14.9 in
L STACK	513 mm	20.2 in	519 mm	20.4 in	545 mm	21.5 in
STEM LENGTH	60 mm		70 mm		90 mm	

SPEEDSTER

	XXS/47		XS/49		S/52	
A HEAD TUBE ANGLE	70.5°		71.0°		73.0°	
B HEADTUBE LENGTH	111 mm	4.4 in	116 mm	4.6 in	136 mm	5.4 in
C TOPTUBE LENGTH HORIZONTAL	505 mm	19.9 in	515 mm	20.3 in	530 mm	20.9 in
E SEAT TUBE ANGLE	75.0°		75.0°		74.5°	
F BB CENTER TO TOP OF SEATTUBE	470 mm	18.5 in	490 mm	19.3 in	520 mm	20.5 in
G BB CENTER TO TOPTUBE CENTER	410 mm	16.1 in	430 mm	16.9 in	460 mm	18.1 in
H CHAINSTAY LENGTH	405 mm	15.9 in	405 mm	15.9 in	405 mm	15.9 in
I BB OFFSET	-67 mm	-2.6 in	-67 mm	-2.6 in	-67 mm	-2.6 in
J STANDOVER HEIGHT	722 mm	28.4 in	736 mm	29.0 in	763 mm	30.0 in
WHEELBASE	973 mm	38.3 in	979 mm	38.5 in	971 mm	38.2 in
K REACH	—	—	—	—	—	—
L STACK	—	—	—	—	—	—
STEM LENGTH	60 mm		70 mm		90 mm	

SCOTT 2014 SPECIFICATION

	FOIL PREMIUM CD 22-SP (DA D12)	FOIL TEAM ISSUE CD 22-SP (DURA ACE)	FOIL 15 CD 22-SP (ULTEGRA D12)	FOIL 10 22-SP (ULTEGRA)	FOIL 10 CD 22-SP (ULTEGRA)	FOIL 20 CD 20-SP (105)
Frame	FOIL HMX net IMP, FO1 AERO Carbon technology Road Race geometry Replaceable Dropout STD Seattube / INT BB	FOIL HMX net IMP, FO1 AERO Carbon technology Road Race geometry Replaceable Dropout STD Seattube / INT BB	FOIL HMF net IMP, FO1 AERO Carbon technology Road Race geometry Replaceable Dropout STD Seattube / INT BB	FOIL HMF net IMP, FO1 AERO Carbon technology Road Race geometry Replaceable Dropout STD Seattube / INT BB	FOIL HMF net IMP, FO1 AERO Carbon technology Road Race geometry Replaceable Dropout STD Seattube / INT BB	FOIL HMF net IMP, FO1 AERO Carbon technology Road Race geometry Replaceable Dropout STD Seattube / INT BB
Fork	FOIL HMX net 11/8" - 11/4" Carbone steerer Integrated Carbon Dropout	FOIL HMX net 11/8" - 11/4" Carbone steerer Integrated Carbon Dropout	FOIL HMF net 11/8" - 11/4" Carbone steerer Integrated Carbon Dropout	FOIL HMF net 11/8" - 11/4" Carbone steerer Integrated Carbon Dropout	FOIL HMF net 11/8" - 11/4" Carbone steerer Integrated Carbon Dropout	FOIL HMF net 11/8" - 11/4" Carbone steerer Integrated Carbon Dropout
Headset	Ritchey WCS Integrated	Ritchey WCS Integrated	Ritchey PRO Integrated	Ritchey PRO Integrated	Ritchey PRO Integrated	Ritchey PRO Integrated
Rear Derailleur	Shimano Dura-Ace RD-9070 22 Speed Electronic	Shimano Dura-Ace RD-9000 22 Speed	Shimano Ultegra RD-6870SS 22 Speed Electronic	Shimano Ultegra RD-6800SS 22 Speed	Shimano Ultegra RD-6800SS 22 Speed	Shimano 105 Black RD-5701-SS 20 Speed
Front Derailleur	Shimano Dura-Ace FD-9070 Electronic Shift System	Shimano Dura-Ace FD-9000	Shimano Ultegra FD-6870 Electronic Shift System	Shimano Ultegra FD-6800	Shimano Ultegra FD-6800	Shimano 105 Black FD-5700
Shifters	Shimano Dura-Ace ST-9070 22 Speed Electronic Shift	Shimano Dura-Ace ST-9000 Dual control 22 Speed	Shimano Ultegra ST-6870 22 Speed Electronic Shift	Shimano Ultegra ST-6800 Carbon Dual control 22 Speed	Shimano Ultegra ST-6800 Carbon Dual control 22 Speed	Shimano 105 Black ST-5700 Dual control 20 Speed
Brakelever
Brakes	Shimano Dura-Ace BR-9000 Super SLR Dual pivot	Shimano Dura-Ace BR-9000 Super SLR Dual pivot	Shimano Ultegra BR-6800 GREY Super SLR Dual pivot	Shimano Ultegra BR-6800 GREY Super SLR Dual pivot	Shimano Ultegra BR-6800 GREY Super SLR Dual pivot	Shimano BR-R561 Black Super SLR Dual pivot
Crankset	Shimano Dura-Ace FC-9000 Hollowtech II 36/52 T	Shimano Dura-Ace FC-9000 Hollowtech II 34/50 T	Shimano Ultegra FC-6800 Hollowtech II 50 x 34 T Grey	Shimano Ultegra FC-6800 Hollowtech II 53 x 39 T Grey	Shimano Ultegra FC-6800 Hollowtech II 50 x 34 T Grey	Shimano 105 Compact FC-5750 Hollowtech II 50 x 34 T Black
BB-Set	Dura Ace SM-BB9241	Dura Ace SM-BB9241	Ultegra SM-BB7241	Ultegra SM-BB7241	Ultegra SM-BB7241	Ultegra SM-BB7241
Handlebar	Ritchey WCS Carbon EVO Curve 31.8 Carbon Oversize Anatomic	Syncros RR1.1 Carbon Anatomic 31.8 mm Oversize	Syncros RR2.0 Anatomic 31.8 mm	Syncros RR2.0 Anatomic 31.8 mm	Syncros RR2.0 Anatomic 31.8 mm	Syncros RR2.0 Anatomic 31.8 mm
H'stem	Ritchey C260 Carbon Superlogic OS 1-1/8" four Bolt	Syncros FL1.0 Carbon 1-1/8" / four Bolt 31.8 mm	Syncros FL1.5 1-1/8" / four Bolt 31.8 mm	Syncros FL2.0 1-1/8" / four Bolt 31.8 mm	Syncros FL2.0 1-1/8" / four Bolt 31.8 mm	Syncros FL2.0 1-1/8" / four Bolt 31.8 mm
Pedal
Seatpost	Ritchey FOIL aero WCS carbon	Ritchey FOIL aero WCS carbon	Ritchey FOIL aero PRO carbon	Ritchey FOIL aero PRO carbon	Ritchey FOIL aero PRO carbon	Ritchey FOIL aero PRO carbon
Seat	Fizik Arione 00 Carbon	Prologo Zero II	Syncros RP1.5 Titanium	Syncros RP2.0	Syncros RP2.0	Syncros RP2.0
Hubs front	Syncros RR1.0	Syncros RR1.5	Syncros RR2.0	Syncros RR2.0	Syncros RR2.0	Shimano WH R501 - 30
Hubs rear	Syncros RR1.0	Syncros RR1.5	Syncros RR2.0	Syncros RR2.0	Syncros RR2.0	Shimano WH R501 - 30
Chain	Shimano Dura Ace CN-9000	Shimano Dura Ace CN-9000	Shimano Ultegra CN-6800	Shimano Ultegra CN-6800	Shimano Ultegra CN-6800	Shimano TIAGRA CN-4600
Cassette	Shimano Dura Ace CS-9000 11-28 T	Shimano Dura Ace CS-9000 11-28 T	Shimano Ultegra CS-6800 11-32 T	Shimano Ultegra CS-6800 11-28 T	Shimano Ultegra CS-6800 11-32 T	Shimano TIAGRA CS-4600 12-30 T
Spokes	Syncros RR1.0	Syncros RR1.5	Syncros RR2.0	Syncros RR2.0	Syncros RR2.0	Shimano WH R501 - 30
Rims	Syncros RR1.0 CARBON CLINCHER 16 Front / 24 Rear	Syncros RR1.5 CARBON 16 Front / 20 Rear	Syncros RR2.0 20 Front / 24 Rear	Syncros RR2.0 20 Front / 24 Rear	Syncros RR2.0 20 Front / 24 Rear	Shimano WH R501 - 30 20 Front / 24 Rear
Tires	Continental Grand Prix 4000 S 700 x 23	Continental Grand Prix 4000 S 700 x 23	Continental Grand Sport Race Fold 700 x 23C	Continental Grand Sport Race Fold 700 x 23C	Continental Grand Sport Race Fold 700 x 23C	Continental Grand Sport Race Fold 700 x 23C

	ADDICT SL CD 22-SP (SRAM RED)	ADDICT TEAM ISSUE CD 22-SP (DURA ACE)
Frame	ADDICT HMX-SL net IMP SUPERLIGHT Carbon technology Road Race geometry Replaceable Dropout STD Seattube / INT BB	ADDICT HMX net IMP SUPERLIGHT Carbon technology Road Race geometry Replaceable Dropout STD Seattube / INT BB
Fork	ADDICT HMX-SL net 11/8" - 11/4" Carbon steerer Integrated Carbon Dropout	ADDICT HMX net 11/8" - 11/4" Carbon steerer Integrated Carbon Dropout
Headset	Ritchey WCS Integrated	Ritchey WCS Integrated
Rear Derailleur	Sram Red22 Speed	Shimano Dura-Ace RD-9000 22 Speed
Front Derailleur	Sram Red22	Shimano Dura-Ace FD-9000
Shifters	Sram Red22 Speed	Shimano Dura-Ace ST-9000 Dual control 22 Speed
Brakelever	.	.
Brakes	Sram Red22	Shimano Dura-Ace BR-9000 Super SLR Dual pivot
Crankset	Sram Red22 Speed 50 x 34 T	Shimano Dura-Ace FC-9000 Hollowtech II 50 x 34 T
BB-Set	Sram PF86 Ceramic GXP	Dura Ace SM-BB9241
Handlebar	Ritchey WCS Carbon EVO Curve 31.8 Carbon Oversize Anatomic	Syncros RR1.1 Carbon Anatomic 31.8 mm Oversize
H'stem	Ritchey C260 Carbon Superlogic OS 1-1/8" four Bolt	Syncros FL1.0 Carbon 1-1/8" / four Bolt 31.8 mm
Pedal	.	.
Seatpost	Ritchey Carbon Superlogic 27.2/350 mm	Syncros Carbon FL1.0 ECL 27.2/350 mm Ergo optimized Comfort Layout
Seat	Fizik Arione 00 Carbon	Syncros RL1.0
Hubs front	Syncros RL1.0	Syncros RL1.1
Hubs rear	Syncros RL1.0	Syncros RL1.1
Chain	Sram Red22 Speed	Shimano Dura Ace CN-9000
Cassette	Sram Red22 Speed CS 11-28	Shimano Dura Ace CS-9000 11-28 T
Spokes	Syncros RL1.0	Syncros RL1.1
Rims	Syncros RL1.0 Carbon Clincher 20 Front / 24 Rear	Syncros RL1.1 20 Front / 24 Rear
Tires	Continental Grand Prix 4000 S 700 x 23	Continental Grand Prix 4000 S 700 x 23

ADDICT 10 22-SP (ULTEGRA)	ADDICT 10 CD 22-SP (ULTEGRA)	ADDICT 20 CD 20-SP (ULTEGRA 10)	
ADDICT HMF net IMP SUPERLIGHT Carbon technology Road Race geometry Replaceable Dropout STD Seattube / INT BB	ADDICT HMF net IMP SUPERLIGHT Carbon technology Road Race geometry Replaceable Dropout STD Seattube / INT BB	ADDICT HMF net IMP SUPERLIGHT Carbon technology Road Race geometry Replaceable Dropout STD Seattube / INT BB	Frame
ADDICT HMF net 1 1/8" - 1 1/4" Carbon steerer Integrated Carbon Dropout Ritchey PRO Integrated	ADDICT HMF net 1 1/8" - 1 1/4" Carbon steerer Integrated Carbon Dropout Ritchey PRO Integrated	ADDICT HMF net 1 1/8" - 1 1/4" Carbon steerer Integrated Carbon Dropout Ritchey PRO Integrated	Fork
Shimano Ultegra RD-6800-SS 22 Speed	Shimano Ultegra RD-6800-SS 22 Speed	Shimano Ultegra RD-6700-SS 20 Speed	Headset
Shimano Ultegra FD-6800	Shimano Ultegra FD-6800	Shimano 105 FD-5700 Black	Rear Derailleur
Shimano Ultegra ST-6800 Carbon Dual control 22 Speed	Shimano Ultegra ST-6800 Carbon Dual control 22 Speed	Shimano Ultegra ST-6700 Carbon Dual control 20 Speed	Front Derailleur
.	.	.	Shifters
Shimano Ultegra BR-6800 Grey Super SLR Dual pivot	Shimano Ultegra BR-6800 Grey Super SLR Dual pivot	Shimano BR-R561 Black Super SLR Dual pivot	Brakelever
Shimano Ultegra FC-6800 Hollowtech II 53 x 39 T Grey	Shimano Ultegra FC-6800 Hollowtech II 50 x 34 T Grey	Shimano FC - R565 Compact Hyperdrive 50 x 34 T Black	Brakes
Ultegra SM-BB7241	Ultegra SM-BB7241	Ultegra SM-BB7241	Crankset
Syncros RR2.0 Anatomic 31.8 mm	Syncros RR2.0 Anatomic 31.8 mm	Syncros RR2.0 Anatomic 31.8 mm	BB-Set
Syncros FL2.0 1-1/8" / four Bolt 31.8 mm	Syncros FL2.0 1-1/8" / four Bolt 31.8 mm	Syncros FL2.0 1-1/8" / four Bolt 31.8 mm	Handlebar
.	.	.	H'stem
Syncros Carbon FL1.0 ECL 27.2/350 mm Ergo optimized Comfort Layout	Syncros Carbon FL1.0 ECL 27.2/350 mm Ergo optimized Comfort Layout	Syncros Carbon FL1.2 27.2/350 mm	H'stem
Syncros RL2.0	Syncros RL2.0	Syncros RL2.0	Pedal
Syncros RP1.5	Syncros RP1.5	Shimano WH RS11-A	Seatpost
Syncros RP1.5	Syncros RP1.5	Shimano WH RS11-A	Seat
Shimano Ultegra CN-6800	Shimano Ultegra CN-6800	Kmc X10	Hubs front
Shimano Ultegra CS-6800 11-32 T	Shimano Ultegra CS-6800 11-32 T	Shimano TIAGRA CS-4600 12-30 T	Hubs rear
Syncros RP1.5	Syncros RP1.5	Shimano WH RS11-A	Chain
Syncros RP1.5 18 Front / 24 Rear	Syncros RP1.5 18 Front / 24 Rear	Shimano WH RS11-A 16 Front / 20 Rear	Cassette
Continental Grand Sport Race Fold 700 x 23C	Continental Grand Sport Race Fold 700 x 23C	Continental Grand Sport Race Fold 700 x 23C	Spokes
			Rims
			Tires

	SOLACE PREMIUM CD 22-SP (DA D12)	SOLACE 10 CD 22-SP (DURA ACE)	SOLACE 20 CD 22-SP (ULTEGRA 11)	SOLACE 30 CD 20-SP (105)
Frame	Solace HMX net IMP Carbon technology Road Comfort geometry INT BB	Solace HMF net IMP Carbon technology Road Comfort geometry INT BB	Solace HMF net IMP Carbon technology Road Comfort geometry INT BB	Solace HMF net IMP Carbon technology Road Comfort geometry INT BB
Fork	Solace HMX net 1 1/8" - 1 1/4" Carbon steerer Integrated Carbon Dropout	Solace HMF net 1 1/8" - 1 1/4" Carbon steerer Integrated Carbon Dropout	Solace HMF net 1 1/8" - 1 1/4" Carbon steerer Integrated Carbon Dropout	Solace HMF net 1 1/8" - 1 1/4" Carbon steerer Integrated Carbon Dropout
Headset	Ritchey WCS Int. Cartridge	Ritchey PRO Int. Cartridge	Ritchey PRO Int. Cartridge	Ritchey PRO Int. Cartridge
Rear Derailleur	Shimano Dura-Ace RD-9070 22 Speed Electronic	Shimano Dura-Ace RD-9000 22 Speed	Shimano Ultegra RD-6800-SS 22 Speed	Shimano 105 Black RD-5701-SS 20 Speed
Front Derailleur	Shimano Dura-Ace FD-9070 Electronic Shift System	Shimano Dura-Ace FD-9000	Shimano Ultegra FD-6800	Shimano 105 FD-5700 Black
Shifters	Shimano Dura-Ace ST-9070 22 Speed Electronic Shift	Shimano Dura-Ace ST-9000 Dual control 22 Speed	Shimano Ultegra ST-6800 Carbon Dual control 22 Speed	Shimano 105 Black ST-5700 Dual control 20 Speed
Brakelevers
Brakes	Shimano Dura-Ace BR-9000 / BR-9010 rear Super SLR Dual pivot / Direct mount rear	Shimano Dura-Ace BR-9000 / BR-6810 rear Super SLR Dual pivot / Direct mount rear	Shimano Ultegra BR-6800 / BR-5710 rear Super SLR Dual pivot / Direct mount rear	Shimano 105 BR-5700 / Tektro 740 rear Super SLR Dual pivot / direct mount rear
Crankset	Shimano Dura-Ace FC-9000 Hollowtech II 36/52 T	Shimano Dura-Ace FC-9000 Hollowtech II 34/50 T	Shimano Ultegra FC-6800 GREY Hollowtech II 50 x 34	Shimano 105 Compact Black FC-5750 Hollowtech II 50 x 34
BB-Set	INT Dura Ace SM-BB9241	Ultegra SM-BB7241	Ultegra SM-BB7241	Ultegra SM-BB7241
Handlebar	Syncros RR1.1 Carbon Anatomic 31.8 mm Oversize	Syncros RR2.0 Anatomic 31.8 mm	Syncros RR2.0 Anatomic 31.8 mm	Syncros RR2.0 Anatomic 31.8 mm
H'stem	Syncros FL1.0 Carbon 1-1/8" / four Bolt 31.8 mm	Syncros FL2.0 1-1/8" / four Bolt 31.8 mm	Syncros FL2.0 1-1/8" / four Bolt 31.8 mm	Syncros FL2.0 1-1/8" / four Bolt 31.8 mm
Pedal
Seatpost	Syncros Carbon FL1.0 ECL 27.2/350 mm Ergo optimized Comfort Layout	Syncros Carbon FL1.0 ECL 27.2/350 mm Ergo optimized Comfort Layout	Syncros Carbon FL1.0 ECL 27.2/350 mm Ergo optimized Comfort Layout	Syncros Carbon FL1.2 27.2/350 mm
Seat	Syncros RR1.0	Syncros RR2.0	Syncros RR2.0	Syncros RR2.5
Hubs front	Syncros RL1.1	Syncros RP2.0	Syncros RP2.0	Shimano WH RS11-A
Hubs rear	Syncros RL1.1	Syncros RP2.0	Syncros RP2.0	Shimano WH RS11-A
Chain	Shimano Dura Ace CN-9000	Shimano Ultegra CN-6800	Shimano Ultegra CN-6800	KMC X10
Cassette	Shimano Dura - Ace CS-9000 11-28 T	Shimano Ultegra CS-6800 11-32 T	Shimano Ultegra CS-6800 11-32 T	Shimano TIAGRA CS-4600 12-30 T
Spokes	Syncros RL1.1	Syncros RP2.0	Syncros RP2.0	Shimano WH RS11-A
Rims	Syncros RL1.1 20 Front / 24 Rear	Syncros RP2.0 18 Front / 24 Rear	Syncros RP2.0 18 Front / 24 Rear	Shimano WH RS11-A 16 Front / 20 Rear
Tires	Schwalbe ONE V-Guard 700 x 25 C	Schwalbe ONE V-Guard 700 x 25 C	Schwalbe Durano S FOLD 700 x 25 C	Schwalbe Durano S FOLD 700 x 25 C

	CR1 10 CD 20-SP (ULTEGRA)	CR1 20 CD 20-SP (105)	CR1 30 CD 18-SP (SORA)
Frame	CR1 Carbon net IMP Carbon technology Road Comfort geometry INT BB	CR1 Carbon net IMP Carbon technology Road Comfort geometry INT BB	CR1 Carbon net IMP Carbon technology Road Comfort geometry INT BB
Fork	CR1 Carbon 11/8" Carbon steerer Alloy Dropout	CR1 Carbon 11/8" Carbon steerer Alloy Dropout	CR1 Carbon 11/8" Carbon steerer Alloy Dropout
Headset	Ritchey Int. Cartridge	Ritchey Int. Cartridge	Ritchey Int. Cartridge
Rear Derailleur	Shimano Ultegra RD-6700-SS 20 Speed	Shimano 105 Black RD-5701-SS 20 Speed	Shimano Sora RD-3500-SS 18 Speed
Front Derailleur	Shimano TIAGRA FD-4600	Shimano TIAGRA FD-4600	Shimano SORA FD 3500
Shifters	Shimano Ultegra ST-6700 Carbon Dual control 20 Speed	Shimano 105 Black ST-5700 Dual control 20 Speed	Shimano Sora SORA ST-3500 Dual control 18/27 Speed
Brakelevers	.	.	.
Brakes	Shimano BR-R561 Black Super SLR Dual pivot	Shimano BR-R561 Black Super SLR Dual pivot	Shimano SORA BR-3500 Super SLR Dual pivot
Crankset	Shimano FC-R565 Black Hyperdrive 34 x 50 T	Shimano FC-R565 Black Hyperdrive 34 x 50 T	Shimano Compact FC-R345 Octalink 50 x 34
BB-Set	INT SM-BB7241	INT SM-BB7241	Shimano Octalink BB - ES25
Handlebar	Syncros RR2.0 Anatomic 31.8 mm	Syncros RR2.0 Anatomic 31.8 mm	Syncros RR2.0 Anatomic 31.8 mm
H'stem	Syncros FL2.0 1-1/8" / four Bolt 31.8 mm	Syncros FL2.0 1-1/8" / four Bolt 31.8 mm	Syncros FL2.0 1-1/8" / four Bolt 31.8 mm
Pedal	.	.	.
Seatpost	Syncros RR1.4 Carbon/AL 31.6	Syncros RR1.4 Carbon/AL 31.6	Syncros RR2.5 31.6/300
Seat	SYNCROS XR2.5	SYNCROS XR2.5	SYNCROS XR2.5
Hubs front	Shimano WH RS11-A	Shimano WH R501-A	Formular PRO 20 H
Hubs rear	Shimano WH RS11-A	Shimano WH R501-A	Formular PRO 24 H
Chain	KMC X10	KMC X10	Shimano HG53 KMC
Cassette	Shimano TIAGRA CS-4600 10 Speed 12-30 T	Shimano TIAGRA CS-4600 12-30 T	Shimano HG50-9 9 Speed 11-32T
Spokes	Shimano WH RS11-A	Shimano WH R501-A	CN - AERO Black 2 mm
Rims	Shimano WH RS11-A 16 Front / 20 Rear	Shimano WH R501-A 16 Front / 20 Rear	Syncros Race 27 Aero Profile 20 Front / 24 Rear
Tires	Schwalbe Durano S 700 x 25 C	Schwalbe Lugano 700 x 25 C	Schwalbe Racepac 700 x 25 C

	SPEEDSTER 10 CD 20-SP	SPEEDSTER 20 CD 20-SP	SPEEDSTER 25 CD 20-SP	SPEEDSTER 30 CD 20-SP
Frame	Speedster D.Buttet 6061 Alloy Road geometry Integrated Headtube	Speedster D.Buttet 6061 Alloy Road geometry Integrated Headtube	Speedster D.Buttet 6061 Alloy Road geometry Integrated Headtube	Speedster D.Buttet 6061 Alloy Road geometry Integrated Headtube
Fork	Speedster Carbon/Alloy 11/8" Alloy steerer	Speedster Carbon/Alloy 11/8" Alloy steerer	Speedster Carbon/Alloy 11/8" Alloy steerer	Speedster Carbon/Alloy 11/8" Alloy steerer
Headset	Integrated Cartridge	Integrated Cartridge	Integrated Cartridge	Integrated Steel Cup
Rear Derailleur	Shimano Ultegra RD-6700-SS 20 Speed	Shimano 105 Black RD-5701-SS 20 Speed	Shimano 105 Black RD-5701-SS 20 Speed	Shimano Tiagra RD-4601-SS 20 Speed
Front Derailleur	Shimano Tiagra FD-4600	Shimano Tiagra FD-4600	Shimano Tiagra FD-4600	Shimano Tiagra FD-4600
Shifters	Shimano Ultegra ST-6700 Carbon Dual control 20 Speed	Shimano 105 ST-5700 Black Dual control 20 Speed	Shimano 105 ST-5700 Black Dual control 20 Speed	Shimano Tiagra ST-4600 Dual control 20 Speed
Brakelevers
Brakes	Shimano BR-R561 Black Super SLR Dual pivot	Shimano BR-R561 Black Super SLR Dual pivot	Shimano BR-R561 Black Super SLR Dual pivot	Tektro SCBR-525 Catridge Pads
Crankset	Shimano FC - R565 Compact Black Hyperdrive 50 x 34	Shimano FC - R565 Compact Black Hyperdrive 50 x 34	Shimano FC - R565 Compact Black Hyperdrive 50 x 34	Shimano Tiagra Compact FC-4650 Hyperdrive 50 x 34
BB-Set	Shimano 105 BB - 5700	Shimano 105 BB - 5700	Shimano 105 BB - 5700	Shimano Tiagra BB - 4600
Handlebar	Syncros RR2.0 Anatomic 31.8 mm	Syncros RR2.0 Anatomic 31.8 mm	Syncros RR2.0 Anatomic 31.8 mm	Syncros RR2.0 Anatomic 31.8 mm
H'stem	Syncros FL2.0 1-1/8" / four Bolt 31.8 mm	JD ST57 Alloy 1-1/8" / four Bolt 31.8 mm	JD ST57 Alloy 1-1/8" / four Bolt 31.8 mm	JD ST57 Alloy 1-1/8" / four Bolt 31.8 mm
Pedal
Seatpost	Syncros R1.4 Carbon/AL 31.6	Syncros R1.4 Carbon/AL 31.6	Syncros R1.4 Carbon/AL 31.6	Syncros RR2.5 31.6/300
Seat	Syncros RR3.0	Syncros RR3.0	Syncros RR3.0	Syncros RR3.0
Hubs front	Shimano WH RS11-A	Formula Team 20 H	Formula Team 20 H	Formula Comp 20 H
Hubs rear	Shimano WH RS11-A	Formula Team 24 H	Formula Team 24 H	Formula Comp 24 H
Chain	KMC X10	KMC X10	KMC X10	KMC X10
Cassette	Shimano Tiagra CS-4600 10 Speed 12-30 T	Shimano Tiagra CS-4600 10 Speed 12-30 T	Shimano Tiagra CS-4600 10 Speed 12-30 T	Shimano Tiagra CS-4600 10 Speed 12-30 T
Spokes	Shimano WH RS11-A	CN - Standard Black 2 mm	CN - Standard Black 2 mm	CN - Standard Black 2 mm
Rims	Shimano WH RS11-A 16 Front / 20 Rear	Syncros Race 27 Aero Profile 20 Front / 24 Rear	Syncros Race 27 Aero Profile 20 Front / 24 Rear	Syncros Race 27 Aero Profile 20 Front / 24 Rear
Tires	Schwalbe Lugano 700 x 25 C	Schwalbe Lugano 700 x 25 C	Schwalbe Lugano 700 x 25 C	Schwalbe Lugano 700 x 25 C



SPEEDSTER 35 CD 20-SP	SPEEDSTER 45 CD 18-SP	SPEEDSTER 50 CD 16-SP	SPEEDSTER FB 50 24-SP	
Speedster D.Buttet 6061 Alloy Road geometry Integrated Headtube	Speedster D.Buttet 6061 Alloy Road geometry Integrated Headtube	Speedster D.Buttet 6061 Alloy Road geometry Integrated Headtube	Speedster D.Buttet 6061 Alloy Road geometry Integrated Headtube	Frame
Speedster Carbon/Alloy 11/8" Alloy steerer	Speedster Carbon/Alloy 11/8" Alloy steerer	Speedster Alloy 11/8" Alloy steerer	Speedster Alloy 11/8" Alloy steerer	Fork
Integrated Steel Cup	Integrated Steel Cup	Integrated Steel Cup	Integrated Steel Cup	Headset
Shimano Tiagra RD-4601-SS 20 Speed	Shimano Sora RD-3500-GS 18 Speed	Shimano Sora RD-3500 16 Speed	Shimano Sora RD-3500 24 Speed	Rear Derailleur
Shimano Tiagra FD-4600	Shimano Sora FD 3500	Shimano Claris FD 2400	Shimano Claris FD 2403	Front Derailleur
Shimano Tiagra ST-4600 Dual control 20 Speed	Shimano Sora ST-3500 Dual control 18/27 Speed	Shimano Claris ST-2400 Dual control 16 Speed	Shimano Claris ST-R243-L Shimano Claris ST-R240-R	Shifters
.	.	.	.	Brakelevers
Tektro SCBR-525 Catridge Pads	Tektro SCBR-525 Catridge Pads	Tektro Comp SCBR 312 39-49 mm	Tektro Comp SCBR 312 39-49 mm	Brakes
Shimano Tiagra Compact FC-4650 Hyperdrive 50 x 34	Shimano Compact FC-R345 Octalink 50 x 34	Shimano Claris FC2450 Black 34/50 T	Shimano Claris FC2403 Black 30/39/50 T	Crankset
Shimano Tiagra BB - 4600	Shimano Octalink BB - ES25	Shimano Octalink BB - ES25	Shimano Octalink BB - ES25	BB-Set
Syncros RR2.0 Anatomic 31.8 mm	Syncros RR2.0 Anatomic 31.8 mm	Syncros RR2.0 Anatomic 31.8 mm	JD-MTB01A Flatbar 580 mm	Handlebar
JD ST57 Alloy 1-1/8" / four Bolt 31.8 mm	JD ST57 Alloy 1-1/8" / four Bolt 31.8 mm	JD ST57 Alloy 1-1/8" / four Bolt 31.8 mm	JD ST57 Alloy 1-1/8" / four Bolt 31.8 mm	H'stem
.	.	.	.	Pedal
Syncros RR2.5 31.6/300	Syncros RR2.5 31.6/300	Syncros RR2.5 31.6/300	Syncros RR2.5 31.6/300	Seatpost
Syncros RR3.0	Syncros RR3.0	Syncros RR3.0	Syncros RR3.0	Seat
Formula Comp 20 H	Formula Comp 20 H	Formula Comp 20 H	Formula Comp 20 H	Hubs front
Formula Comp 24 H	Formula Comp 24 H	Formula Comp 24 H	Formula Comp 24 H	Hubs rear
KMC X10	Shimano HG53 KMC	Shimano HG53 KMC	Shimano HG53 KMC	Chain
Shimano Tiagra CS-4600 10 Speed 12-30 T	Shimano HG50-9 9 Speed 11-30T	Shimano HG50-8 8 Speed 11-30T	Shimano HG50-8 8 Speed 11-30T	Cassette
CN - Standard Black 2 mm	CN - Standard Black 2 mm	CN - Standard Black 2 mm	CN - Standard Black 2 mm	Spokes
Syncros Race 27 Aero Profile 20 Front / 24 Rear	Syncros Race 27 Aero Profile 20 Front / 24 Rear	Syncros Race 27 Aero Profile 20 Front / 24 Rear	Syncros Race 27 Aero Profile 20 Front / 24 Rear	Rims
Schwalbe Lugano 700 x 25 C	Schwalbe Racepac 700 x 25 C	Schwalbe Racepac 700 x 25 C	Schwalbe Racepac 700 x 25 C	Tires

	SPEEDSTER 45.1 CD 18-SP	SPEEDSTER 55.1 24-SP	SPEEDSTER FB 55.1 24-SP
Frame	D.Buttet 6061 Alloy Tubing Road geometry Integrated Headtube	D.Buttet 6061 Alloy Tubing Road geometry Integrated Headtube	D.Buttet 6061 Alloy Tubing Road geometry Integrated Headtube
Fork	Speedster Carbon/Alloy 11/8" Alloy steerer	Speedster Carbon/Alloy 11/8" Alloy steerer	Speedster Carbon/Alloy 11/8" Alloy steerer
Headset	Integrated Steel Cup	Integrated Steel Cup	Integrated Steel Cup
Rear Derailleur	Shimano Tiagra RD-4601/SS 18 Speed	Shimano Sora RD-3500 24 Speed	Shimano Sora RD-3500 24 Speed
Front Derailleur	Shimano Sora FD 3500	Shimano FD 2303	Shimano FD - R443A F
Shifters	Shimano Sora ST-3500 Dual control 18/27 Speed	Shimano ST-2300 Dual control 24 Speed	Shimano ST - R221/R225 24 Speed
Brakelevers	.	.	.
Brakes	Scott Pro SCBR-525 (Tektro) Catridge Pads	Scott Comp SCBR 312 (Tektro) 39-49 mm	Scott Comp SCBR 312 (Tektro) 39-49 mm
Crankset	Shimano Compact FC-R345 Octalink 50 x 34	Shimano 2303 30/42/52 T	Shimano 2303 30/42/52 T
BB-Set	Shimano Octalink BB - ES25	Shimano Square BB UN26	Shimano Square BB UN26
Handlebar	Syncros RR2.0 Anatomic 31.8 mm	Syncros RR2.0 Anatomic 31.8 mm	JD-MTB01A Flatbar 580 mm
H'stem	JD ST57 Alloy 1-1/8" / four Bolt 31.8 mm	JD ST57 Alloy 1-1/8" / four Bolt 31.8 mm	JD ST57 Alloy 1-1/8" / four Bolt 31.8 mm
Pedal	.	.	.
Seatpost	Syncros RR2.5 31.6/300	Syncros RR2.5 31.6/300	Syncros RR2.5 31.6/300
Seat	SYNCROS RP2.5	SYNCROS RP3.0	SYNCROS RP3.0
Hubs	F : Formula Comp 20H R : Formula Comp 24 H	F : Formula Comp 20H R : Formula Comp 24 H	F : Formula Comp 20H R : Formula Comp 24 H
Chain	Shimano CN-HG53	Shimano HG 50 KMC	Shimano HG 50 KMC
Cassette	Shimano HG50-9 NEW 9 Speed 11-30T	SRAM PG - 830 8 Speed 11-28T	SRAM PG - 830 8 Speed 11-28T
Spokes	CN - Standard Black 2 mm	CN - Standard Black 2 mm	CN - Standard Black 2 mm
Rims	Syncros Race 28 Aero Profile 20 Front / 24 Rear	Syncros Race 28 Aero Profile 20 Front / 24 Rear	Syncros Race 28 Aero Profile 20 Front / 24 Rear
Tires	Schwalbe Racepac 700 x 23 C	Schwalbe Racepac 700 x 23 C	Schwalbe Racepac 700 x 23 C

	PLASMA PREMIUM 22-SP (SRAM RED)	PLASMA 10 22-SP (DURA ACE)	PLASMA 20 22-SP (ULTEGRA)	PLASMA 30 20-SP (ULTEGRA/105)
Frame	Plasma 3 IMP technology / HMX-net TT / TRI Geometry Plasma 3 seatpost replaceable hanger UCI approved 40508	Plasma 3 IMP technology / HMX-net TT / TRI Geometry Plasma 3 seatpost replaceable hanger UCI approved 40508	Plasma 2 IMP technology / HMF-net TRI Geometry Plasma 2 seatpost replaceable hanger	Plasma 2 IMP technology / HMF-net TRI Geometry Plasma 2 seatpost replaceable hanger
Fork	Plasma 31" carbon / integrated	Plasma 31" carbon / integrated	Plasma 211/8" carbon / integrated	Plasma 211/8" carbon / integrated
Headset	Ritchey PRO Integrated 1" drop-in headset	Ritchey PRO Integrated 1" drop-in headset	Ritchey PRO Integrated 45mm drop-in headset	Ritchey PRO Integrated 45mm drop-in headset
Rear Derailleur	Sram Red22 Carbon Ceramic 22 Speed	Shimano Dura Ace RD-9000 22 Speed	Shimano Ultegra RD-6800 22 Speed	Shimano Ultegra RD-6700 20 Speed
Front Derailleur	Sram Red22 Titanium Yaw technology	Shimano Dura Ace FD-9000	Shimano Ultegra FD-6800	Shimano 105 FD-5700
Shifters	Sram Red22 R2C 1090 SL YAW Carbon	Shimano Dura Ace SL-BSR1 bar end	Shimano Dura Ace SL-BSR1 bar end	Dura-Ace SL-BS 79 bar end
Brakelevers	Profile ABS Carbon	Profile ABS Semi Carbon	Profile ABS Alloy	Profile ABS Alloy
Brakes	Front : Sram Red22 Aero Link Rear : Shimano Dura Ace BR-7900	Front : Shimano Dura Ace BR-9000 Rear : Shimano Dura Ace BR-7900	FSA Energy Lightweight dual pivot	FSA Energy Lightweight dual pivot
Crankset	Sram Red22 Exogram Carbon 39/53	Shimano Dura Ace FC-9000 39/53	Shimano Ultegra FC-6800 39/53	FSA Gossamer MegaExo 34/50
BB-Set	Sram Int BB Press Fit	Shimano SM-BB92-41B	Shimano SM-BBR60	FSA BB-6000
Handlebar	Profile Aeria Carbon	Profile OZERO TT	Profile OZERO TT	Profile T2
Aerobar	Profile Aeria Carbon	Profile T2+ Cobra J4	Profile T2+ Cobra J4	Profile T2+
H'stem	Profile Plasma 3 1" - 31.8mm	Profile Plasma 3 1" - 31.8mm	Profile Dino OS 1-1/8" - 31.8mm - 84°	Profile Dino OS 1-1/8" - 31.8mm - 84°
Pedal
Seatpost	Plasma 3 with Ritchey WCS adjustable head	Plasma 3 with Ritchey WCS adjustable head	Plasma 2 with Ritchey WCS adjustable head	Plasma 2 with Ritchey WCS adjustable head
Seat	Syncros RP1.0 TRI	Syncros RP1.5 TRI	Syncros RP2.0 TRI	Syncros RP2.0 TRI
Hub front	Zipp	Formula RB 51	Formula RB 51	Formula 31
Hub rear	Zipp	Formula RB 5711	Formula RB 5711	Formula 32
Chain	Sram Red22 PC-1191	Shimano CN-9000	Shimano CN-6800	Shimano CN-5701
Cassette	Sram Red22 XG 1190 / 11 speed 11-26	Shimano CS-9000 / 11 speed 11-26	Shimano CS-6800 / 11 speed 11-25	Shimano CS-5700 / 10 speed 11-28
Spokes	Zipp	CN - Standard Black 2mm	CN - Standard Black 2mm	CN - Standard Black 2mm
Rims	F : Zipp Carbon 404 Firecrest CCL R : Zipp Carbon 808 Firecrest CCL	Syncros Race 27 Aero Profile 20 Front / 24 Rear	Syncros Race 27 Aero Profile 20 Front / 24 Rear	Syncros Race 27 Aero Profile 20 Front / 24 Rear
Tires	Schwalbe Ironman 22x622	Schwalbe Durano S 23x622 Fold	Schwalbe Durano S 23x622 Fold	Schwalbe Durano S 23x622

	SPARK 700 SL	SPARK 700 PREMIUM	SPARK 700 RC	SPARK 710	SPARK 730
new for MY14	FOX fork / Kashima FOX Nude shock / Kashima XTR Brake	Fork Kashima FOX Nude shock / Kashima 2 x 10	FOX fork FOX Nude shock XX-XO mix Syncros XC RC Wheelset	FOX Nude shock	FOX Nude shock rear thru axle 12 x 142mm Shimano Hubs / Syncros Rims no pedals
Frame	Spark Carbon / IMP technology / HMX net BB 92 / Carbon swingarm with 160PM U-Mono Link / Tapered Headtube IDS SL DM dropouts for 142 x 12mm BB height adj.	Spark Carbon / IMP technology / HMX net BB 92 / Carbon swingarm with 160PM U-Mono Link / Tapered Headtube IDS SL DM dropouts for 142 x 12mm BB height adj.	Spark Carbon / IMP technology / HMX net BB 92 / Carbon swingarm with 160PM U-Mono Link / Tapered Headtube IDS SL DM dropouts for 142 x 12mm BB height adj.	Spark Carbon / IMP technology / HMF net BB 92 / Alloy swingarm with 160PM U-Mono Link / Tapered Headtube IDS SL dropouts for 142 x 12mm BB height adj.	Spark Carbon / IMP technology / HMF net BB 92 / Alloy swingarm with 160PM U-Mono Link / Tapered Headtube IDS SL dropouts for 142 x 12mm BB height adj.
Travel	700 serie: Front 120mm Rear 120 - 85 - Climb / Shock 190 x 50	700 serie: Front 120mm Rear 120 - 85 - Climb / Shock 190 x 50	700 serie: Front 120mm Rear 120 - 85 - Climb / Shock 190 x 50	700 serie: Front 120mm Rear 120 - 85 - Climb / Shock 190 x 50	700 serie: Front 120mm Rear 120 - 85 - Climb / Shock 190 x 50
Fork	Fox 32 Float Factory CTD Air / Kashima CTD damper with 3 modes 15mm QR axle / tapered steerer reb. Adj.	Fox 32 Float Factory CTD Air / Kashima CTD damper with 3 modes 15mm QR axle / tapered steerer reb. Adj.	Fox 32 Float Factory CTD Air CTD damper with 3 modes 15mm QR axle / tapered steerer reb. Adj.	Fox 32 Float Factory CTD Air CTD damper with 3 modes 15mm QR axle / tapered steerer reb. Adj.	Fox 32 Float Evolution CTD Air CTD damper with 3 modes 15mm QR axle / tapered steerer reb. Adj.
Rear Shock	Fox Nude / Scott custom w. travel / geo adj CTCD 3 modes : Climb - Traction control - Descend / Kashima / reb. Adj.	Fox Nude / Scott custom w. travel / geo adj CTCD 3 modes : Climb - Traction control - Descend / Kashima / reb. Adj.	Fox Nude / Scott custom w. travel / geo adj CTCD 3 modes : Climb - Traction control - Descend / reb. Adj.	Fox Nude / Scott custom w. travel / geo adj CTCD 3 modes : Climb - Traction control - Descend / reb. Adj.	Fox Nude / Scott custom w. travel / geo adj CTCD 3 modes : Climb - Traction control - Descend / reb. Adj.
Remote System	Scott Twinloc Remote Technology 3 modes front and rear	Scott Twinloc Remote Technology 3 modes front and rear	Scott Twinloc Remote Technology 3 modes front and rear	Scott Twinloc Remote Technology 3 modes front and rear	Scott Twinloc Remote Technology 3 modes front and rear
Headset	Ritchey WCS Carbon Tapered 1.5" - 1 1/8" semi integr. OD 50/61mm / ID 44/55mm	Ritchey Pro Tapered 1.5" - 1 1/8" semi integr. OD 50/61mm / ID 44/55mm	Ritchey Pro Tapered 1.5" - 1 1/8" semi integr. OD 50/61mm / ID 44/55mm	Ritchey Pro Tapered 1.5" - 1 1/8" semi integr. OD 50/61mm / ID 44/55mm	Ritchey Pro Minus Tapered 1.5" - 1 1/8" semi integr. OD 50/61mm / ID 44/55mm
Rear Derailleur	Sram XXI 11 speed	Shimano XTR RD-M986 SGS Shadow Plus Type / 20 Speed	Sram XX carbon long cage 20Speed	Shimano XT RD-M786 SGS Shadow PlusType / 20 Speed	Sram X9 long cage 20 Speed
Front Derailleur	nil	Shimano XTR FD-M985-E2 / DM	Sram XO / DM S3 / bottom pull	Shimano XT FD-M785-E2 / DM	Sram X7 / DM S3 / dual pull
Shifters	Sram XXI Trigger right only multi adj. / with carbon cap	Shimano XTR SL-M980-I Rapidfire Plus / 2 way release Ispec clamp	Sram XO Trigger multi adj. / with carbon cap with matchmaker clamp TI	Shimano XT SL-M780-I Rapidfire Plus / 2 way release Ispec clamp	Sram X7 Trigger adjustable clamp
Brakelevers	Shimano XTR XC M987 Disc	Shimano XTR XC M987 Disc	Shimano XTR XC M987 Disc	Shimano XT BL-M785 Disc	Shimano BL-M615 Disc
Brakes	Shimano XTR M987 Disc 180/F and 160/R mm SM-RT199 CL Rotor	Shimano XTR M987 Disc 180/F and 160/R mm SM-RT199 CL Rotor	Shimano XTR M987 Disc 180/F and 160/R mm SM-RT199 CL Rotor	Shimano XT BR-M785 Disc 180/F and 160/R mm SM-RT64 CL Rotor	Shimano BR-M615 Disc 180/F and 160/R mm SM-RT64 CL Rotor
Crankset	Sram XXI GXP PF Carbon crankarm / QF 168 700 serie : 34T	Shimano XTR FC-M980 Double hollowtech 2 38Ax26A T	Sram XX GXP PF Carbon crankarm / QF 166 39Ax26A T	Shimano XT FC-M785 hollowtech 2 38Ax24A T	Sram S-1000 GXP PF 36Ax22A T
BB-Set	Sram GXP PF integrated / shell 41x89.5mm	Shimano SM-BB94-41A / shell 41x89.5mm	Sram GXP PF integrated / shell 41x89.5mm	Shimano SM-BB71-41A / shell 41x89.5mm	Sram GXP PF integrated / shell 41x89.5mm
Handlebar	Syncros FL1.0 Carbon T-Bar T shape flat / 9° / 700 mm Syncros Silicone grips	Syncros FL1.0 Carbon T-Bar T shape flat / 9° / 700 mm Syncros Pro lockon grips	Ritchey Carbon WCS 2X T shape Flat / 9° / 700 mm Syncros Silicone grips	Syncros FL1.5 Tbar Alloy 7050 D.B. / T shape Flat / 9° / 700mm Syncros Pro lockon grips	Syncros FL1.5 Tbar Alloy 7050 D.B. / T shape Flat / 9° / 700mm Syncros Pro lockon grips
H'stem	Syncros 700 serie : FL1.0 (6°) 7050 carbon wrapped / 31.8mm / 1-1/8"	Syncros 700 serie : FL1.0 (6°) 7050 carbon wrapped / 31.8mm / 1-1/8"	Ritchey WCS C-260 oversize 31.8mm 1-1/8" / - 6° angle	Syncros 700 serie : FL1.5 (6°) 7050 Alloy / 31.8mm / 1-1/8"	Syncros FL1.5 7050 Alloy / oversize 31.8mm 1-1/8" / 6° angle
Pedal	nil	nil	nil	nil	nil
Seatpost	Syncros FL1.0 Carbon / 31.6mm	Syncros FL1.0 Carbon / 31.6mm	Ritchey WCS Carbon Link / 31.6mm	Syncros FL1.5 / 31.6mm	Syncros FL2.0 / 31.6mm
Seat	Syncros XR1.0 / Carbon rails	Syncros XR1.5 / Titanium rails	Ritchey WCS Stream EVO	Syncros XR1.5 / Titanium rails	Syncros XR2.0 / CROM rails
Hub front	Syncros XR1.0 Carbon CL / 15mm made by DT Swiss	Syncros XR1.5 CL / 15mm made by DT Swiss	Syncros XR RC CL / 15mm made by DT Swiss	Syncros XR2.0 CL / 15mm made by DT Swiss	Shimano HB-M618 / 15mm
Hub rear	Syncros XR1.0 Carbon CL / 12 x 142 / RWS XD Body / made by DT Swiss	Syncros XR1.5 CL / 12 x 142 / RWS made by DT Swiss	Syncros XR RC CL / 12 x 142 / RWS made by DT Swiss	Syncros XR2.0 CL / 12 x 142 / RWS made by DT Swiss	Shimano FH-M618 Disc CL 142 x 12mm / DT RWS axle
Chain	Sram PC XX1	Shimano CN-HG94	Sram PC 1071	Shimano CN-HG74	KMC X10
Cassette	Sram XXI / XG1199 10-42 T	Shimano XTR CS-M980 11-36 T	Sram XO / PG-1080 11-36 T	Shimano XT CS-M771-H0 11-36 T	Shimano CS-HG62-10 11-36 T
Spokes	DT Swiss Aerolite	DT Swiss Aero Comp	DT Swiss Aero Comp	DT Swiss Aero Comp	DT Swiss Champion Black 1.8mm
Rims	Syncros XR1.0 Carbon 28 H / Carbon rim / Tubeless ready	Syncros XR1.5 28H / Tubeless ready	Syncros XR RC 28H / Tubeless ready	Syncros XR2.0 28H / Tubeless ready	Syncros XC / Eyelets / 32H 700 serie : XC37
Tires	Schwalbe Thunder Burt EVO / 2.1 127EPI Kevlar Bead Tubeless ready / Pace star compound	Schwalbe Rocket Ron EVO / 2.25 127EPI Kevlar Bead Tubeless ready / Pace star compound	Schwalbe Rocket Ron EVO / 2.25 127EPI Kevlar Bead Tubeless ready / Pace star compound	Schwalbe Rocket Ron EVO / 2.25 127EPI Kevlar Bead Tubeless ready / Pace star compound	Schwalbe Rocket Ron / 2.25 67EPI Kevlar Bead / Dual compound Performance Serie

SPARK 740	SPARK 760	
FOX Nude shock rear thru axle 12 x 142mm no pedals	Tapered HT	new for MY14
Spark Alloy 6061 custom butted hydroformed tubes / tapered Headtube IDS SL dropouts for 142 x 12mm U-Mono Link / rear PM 160 BB height adj.	Spark Alloy 6061 custom butted hydroformed tubes / tapered Headtube replaceable headset hanger / 135mm U-Mono Link / rear PM 160 BB height adj.	Frame
700 serie; Front 120mm Rear 120 - 85 - Climb / Shock 190 x 50	700 serie; Front 120mm Rear 120mm / Shock 190 x 50	Travel
Fox 32 Float Evolution CTD Air CTD damper with 3 modes 15mm QR axle / tapered steerer reb. Adj.	Rock Shox XC 30 TK / 900 serie : Coil spring 700 serie : Air spring / Alloy Steerer / Lockout reb. Adj.	Fork
Fox Nude / Scott custom w. travel / geo adj CTD 3 modes : Climb - Traction control - Descend / reb. Adj.	X-Fusion O2 RL / Air reb. Reb. / Lockout	Rear Shock
Scott Twinloc Remote Technology 3 modes front and rear	nil	Remote System
Ritchey Pro Minus Tapered 1.5" - 11/8" semi integr. OD 50/61mm / ID 44/55mm	Ritchey OE Tapered 1.5" - 11/8" reducer semi integrated 50 / 61mm	Headset
Shimano XT RD-M786 SGS Shadow Type / 30 Speed	Shimano SLX RD-M662 SGS Shadow Type / 27 Speed	Rear Derailleur
Shimano SLX FD-M670-A-E / DM	Shimano SLX FD-M660-E / DM	Front Derailleur
Shimano SLX SL-M670-I Rapidfire Plus / 2 way release Ispec clamp	Shimano Alivio SL-M430 Rapidfire plus w/gear indicator	Shifters
Shimano BL-M615 Disc	Shimano BL-M395 Disc	Brakelevers
Shimano BR-M615 Disc 180/F and 160/R mm SM-RT64 CL Rotor	Shimano BR-M395 Disc 180/F and 160/R mm Rotor SM-RT54 CL Rotor	Brakes
Shimano XT FC-M782 hollowtech 2 40Ax30Ax22A T	Shimano FC-M430-8 Octalink 44x32x22 T	Crankset
Shimano SM-BB71-41A / shell 41x89.5mm	Shimano ES25 Octalink / 73-118mm	BB-Set
Syncros FL2.0 Tbar Alloy 6061D.B. / T shape Flat / 9° / 700mm Syncros Pro lockon grips	Syncros FL2.5 Tbar Alloy 6061 / T shape Flat / 9° / 700mm	Handlebar
Syncros FL1.5 7050 Alloy / oversize 31.8mm 1-1/8" / 6° angle	Syncros FL2.0 6061 Alloy / oversize 31.8mm 1-1/8" / 6° angle	H'stem
nil	Wellgo M-21	Pedal
Syncros FL2.5 / 31.6mm	Syncros FL2.5 / 31.6mm	Seatpost
Syncros XR2.0 / CROM rails	Syncros XR2.5	Seat
Shimano HB-M618 / 15mm	Formula CL51	Hub front
Shimano FH-M618 Disc CL 142 x 12mm / DT RWS axle	Shimano FH-RM66 Disc CL	Hub rear
Shimano CN-HG54	KMC X9	Chain
Shimano CS-HG62-10 11-36 T	Shimano CS HG-50 -9 11-34 T	Cassette
DT Swiss Champion Black 1.8mm	Stainless Black 15G / 1.8mm	Spokes
Syncros XC / Eyelets / 32H 700 serie : XC37	Syncros XC / Eyelets / 32H 700 serie : XC37	Rims
Schwalbe Rocket Ron / 2.25 67EPI Kevlar Bead / Dual compound Performance Serie	Schwalbe Rocket Ron / 2.25 50EPI Active Line	Tires

	SCALE 700 SL	SCALE 700 PREMIUM	SCALE 700 RC	SCALE 710	SCALE 735	SCALE 740	SCALE 750	SCALE 760
new for MY14	IDS SL Dropouts 142 x 12mm FOX fork XTR Brake	IDS SL Dropouts 142 x 12mm Fox fork with Kashima 2 x 10	IDS SL Dropouts 142 x 12mm XXI-XO1 / 1 x 11 Syncros XR RC Wheelset	IDS SL Dropouts 142 x 12mm	new model IDS SL Dropouts 2 x 10	Frame with tapered HT & int. BB 2 x 10	Frame with tapered HT & int. BB	Scale Alloy 6061 custom butted superlight tubing Tapered HT / BB 92 bridgeless seatstays Integ. Headset / replaceable hanger
Frame	Scale Carbon IMP technology / HMX net / Tapered HT PM 160 Disc / BB92 IDS SL dropouts for 142 x 12mm SDS shock damping system	Scale Carbon IMP technology / HMX net / Tapered HT PM 160 Disc / BB92 IDS SL DM dropouts for 142 x 12mm SDS shock damping system	Scale Carbon IMP technology / HMX net / Tapered HT PM 160 Disc / BB92 IDS SL dropouts for 142 x 12mm SDS shock damping system	Scale Carbon IMP technology / HMF net / Tapered HT PM 160 Disc / BB92 IDS SL dropouts for 142 x 12mm SDS shock damping system	Scale Carbon IMP technology / Carbon / Tapered HT PM 160 Disc / BB92 IDS SL dropouts SDS shock damping system	Scale Alloy 6061 custom butted superlight tubing Tapered HT / BB 92 bridgeless seatstays Integ. Headset / replaceable hanger	Scale Alloy 6061 custom butted superlight tubing Tapered HT / BB 92 bridgeless seatstays Integ. Headset / replaceable hanger	Scale Alloy 6061 custom butted superlight tubing Tapered HT / BB 92 bridgeless seatstays Integ. Headset / replaceable hanger
Fork	Fox 32 Float Factory CTD Air / Kashima CTD damper with 3 modes 15mm QR axle / tapered steerer reb. Adj. / 100mm travel	Fox 32 Float Factory CTD Air / Kashima CTD damper with 3 modes 15mm QR axle / tapered steerer reb. Adj. / 100mm travel	Rock Shox SID 29 RL3 Air DNA3 custom damper with 3 modes 15mm QR axle / tapered steerer reb. Adj. / 100 mm travel	Fox 32 Float Factory CTD Air CTD damper with 3 modes 15mm QR axle / tapered steerer reb. Adj. / 100mm travel	Rock Shox XC 30 Gold TK Solo Air Alloy Steerer / remote Lockout reb. Adj. / 100 mm travel	Fox 32 Float Evolution CTD Air CTD damper with 3 modes tapered steerer reb. Adj. / 100mm travel	Fox 32 Float Evolution CTD Air CTD damper with 3 modes alloy 11/8" steerer reb. Adj. / 100 mm travel	Rock Shox XC 30 TK Solo Air CTD damper with 3 modes tapered steerer reb. Adj. / 100 mm travel
Remote System	Scott Rideloc Remote Technology 3 modes	Scott Rideloc Remote Technology 3 modes	Scott Rideloc Remote Technology 3 modes	Scott Rideloc Remote Technology 3 modes	Scott Rideloc Remote Technology 3 modes	Scott Rideloc Remote Technology 3 modes	Scott Rideloc Remote Technology 3 modes	Rock Shox Pop Loc
Headset	Ritchey WCS Carbon Tapered 1.5" - 11/8" semi integr. OD 50/61mm / ID 44/55mm	Ritchey Pro Tapered 1.5" - 11/8" semi integr. OD 50/61mm / ID 44/55mm	Ritchey Pro Tapered 1.5" - 11/8" semi integr. OD 50/61mm / ID 44/55mm	Ritchey Pro Tapered 1.5" - 11/8" semi integr. OD 50/61mm / ID 44/55mm	Ritchey Pro Minus Tapered 1.5" - 11/8" semi integr. OD 50/61mm / ID 44/55mm	Ritchey Pro Minus Tapered 1.5" - 11/8" semi integr. OD 50/61mm / ID 44/55mm	Ritchey OE Tapered 1.5" - 11/8" reducer semi integr. OD 50/61mm / ID 44/55mm	Ritchey OE Tapered 1.5" - 11/8" reducer semi integr. OD 50/61mm / ID 44/55mm
Rear Derailleur	SRAM XXI 11Speed	Shimano XTR RD-M986 SGS Shadow Plus Type / 20 Speed	Sram XXI 11Speed	Shimano XT RD-M786 SGS Shadow PlusType / 20 Speed	Shimano XT RD-M781 SGS Shadow Type / 20 Speed	Shimano XT RD-M781 SGS Shadow Type / 20 Speed	Shimano XT RD-M781 SGS Shadow Type / 30 Speed	Shimano XT RD-M781 SGS Shadow Type / 30 Speed
Front Derailleur	nil	700 serie : Shimano XTR FD-M985-E2 900 serie : Shimano XTR FD-M986 / 34.9mm	nil	700 serie : Shimano XT FD-M785-E2 900 serie : Shimano XT FD-M786 / 34.9mm	700 serie : Shimano Deore FD-M615-E2 900 serie : Shimano Deore FD-M616 / 34.9mm	Shimano SLX FD-M675-B / 34.9mm	Shimano SLX FD-M670 / 34.9mm	Shimano Deore FD-M610 / 34.9mm
Shifters	SRAM XXI Trigger right only multi adj. / with carbon cap	Shimano XTR SL-M980-I Rapidfire Plus / 2 way release Ispec clamp	Sram XO1 Trigger right only multi adj. / with carbon cap	Shimano XT SL-M780-I Rapidfire Plus / 2 way release Ispec clamp	Shimano DeoreSL-M610 Rapidfire plus / 2 way release w/gear indicator	Shimano SLX SL-M670 Rapidfire plus / 2 way release Ispec clamp	Shimano SLX SL-M670 Rapidfire plus / 2 way release w/gear indicator	Shimano DeoreSL-M610 Rapidfire plus / 2 way release w/gear indicator
Brakelevers	Shimano XTR XC M987 Disc	Shimano XTR XC M987 Disc	Shimano XTR XC M987 Disc	Shimano XT BL-M785 Disc	Shimano BL-M395 Disc	Shimano BL-M615 Disc	Shimano BL-M445-B Disc	Shimano BL-M395 Disc
Brakes	Shimano XTR M987 Disc 180/F and 160/R mm SM-RT99 CL Rotor	Shimano XTR M987 Disc 180/F and 160/R mm SM-RT99 CL Rotor	Shimano XTR M987 Disc 180/F and 160/R mm SM-RT97 CL Rotor	Shimano XT BR-M785 Disc 180/F and 160/R mm SM-RT64 CL Rotor	Shimano BR-M395 Disc 180/F and 160/R mm SM-RT54 CL Rotor	Shimano BR-M615 Disc 180/F and 160/R mm SM-RT64 CL Rotor	Shimano BR-M447 Disc 180/F and 160/R mm SM-RT54 CL Rotor	Shimano BR-M395 Disc 180/F and 160/R mm SM-RT54 CL Rotor
Crankset	Sram XXI GXP PF Carbon crankarm / QF 156 700 serie : 34T	Shimano XTR FC-M980 Double hollowtech 2 38Ax26A T	Sram XXI GXP PF Carbon crankarm / QF 156 700 serie : 34T	Shimano XT FC-M785 hollowtech 2 38Ax24A T	Shimano FC-M625 2-piece Design 38 x 24 T	Shimano XT FC-M785 hollowtech 2 38Ax24A T	Shimano FC-M662 2-piece Design 40Ax30Ax22T	Shimano FC-M622 2-piece Design 40Ax30Ax22T
BB-Set	Sram GXP PF integrated / shell 41x89.5mm	Shimano SM-BB94-41A / shell 41x89.5mm	Sram GXP PF integrated / shell 41x89.5mm	Shimano SM-BB71-41A / shell 41x89.5mm	Shimano SM-BB71-41A / shell 41x89.5mm	Shimano SM-BB71-41A / shell 41x89.5mm	Shimano SM-BB71-41A / shell 41x89.5mm	Shimano SM-BB71-41A / shell 41x89.5mm
Handlebar	Syncros FL1.0 Carbon T-Bar T shape flat / 9° / 700 mm Syncros Silicone grips	Syncros FL1.0 Carbon T-Bar T shape flat / 9° / 700 mm Syncros Pro lockon grips	Ritchey Carbon WCS 2X T shape Flat / 9° / 700 mm Syncros Silicone grips	Syncros FL1.5 Tbar Alloy 7050 D.B. / T shape Flat / 9° / 700mm Syncros Pro lockon grips	Syncros FL2.5 Tbar Alloy 6061 / T shape Flat / 9° / 700mm	Syncros FL2.0 Tbar Alloy 6061D.B. / T shape Flat / 9° / 700mm	Syncros FL2.5 Tbar Alloy 6061 / T shape Flat / 9° / 700mm	Syncros FL2.5 Tbar Alloy 6061 / T shape Flat / 9° / 700mm
H'stem	Syncros 700 serie : FL1.0 (6°) 7050 carbon wrapped / 31.8mm 1-1/8"	Syncros 700 serie : FL1.0 (6°) 7050 carbon wrapped / 31.8mm 1-1/8"	Ritchey WCS C-260 oversize 31.8mm 1-1/8" / 6° angle	Syncros 700 serie : FL1.5 (6°) 7050 Alloy / 31.8mm 1-1/8"	Syncros FL2.0 6061 Alloy / oversize 31.8mm 1-1/8" / 6° angle	Syncros FL1.5 7050 Alloy / oversize 31.8mm 1-1/8" / 6° angle	Syncros FL2.0 6061 Alloy / oversize 31.8mm 1-1/8" / 6° angle	Syncros FL2.0 6061 Alloy / oversize 31.8mm 1-1/8" / 6° angle
Pedal	nil	nil	nil	nil	nil	Wellgo M-21	Wellgo M-21	Wellgo M-21
Seatpost	Syncros FL1.0 Carbon ECL Ergooptimized Comfort Layup 700 serie : 31.6mm	Syncros FL1.0 Carbon ECL Ergooptimized Comfort Layup 700 serie : 31.6mm	Ritchey WCS 700 serie : Carbon Link Flex Logic / 31.6mm	Syncros FL1.5 700 serie : 31.6mm	Syncros FL2.0 700 serie : 31.6mm	Syncros FL2.5 / 31.6mm	Syncros FL2.5 / 31.6mm	Syncros FL2.5 / 31.6mm
Seat	Syncros XR1.0 / Carbon rails	Syncros XR1.5 / Titanium rails	700 serie : Ritchey WCS Stream EVO	Syncros XR1.5 / Titanium rails	Syncros XR2.0 / CROM rails	Syncros XR2.0 / CROM rails	Syncros XR2.5	Syncros XR2.5
Hub front	Syncros XR1.0 Carbon CL / 15mm made by DT Swiss	Syncros XR1.5 CL / 15mm made by DT Swiss	Syncros XR RC CL / 15mm made by DT Swiss	Syncros XR2.0 CL / 15mm made by DT Swiss	Formula CL51	Formula CL92	Formula CL51	Formula CL51
Hub rear	Syncros XR1.0 Carbon CL / 12 x 142 / RWS XD Body / made by DT Swiss	Syncros XR1.5 CL / 12 x 142 / RWS made by DT Swiss	Syncros XR RC CL / 12 x 142 / RWS XD Body / made by DT Swiss	Syncros XR2.0 CL / 12 x 142 / RWS made by DT Swiss	Shimano FH-M615 Disc CL	Shimano FH-M615 Disc CL	Shimano FH-M615 Disc CL	Shimano FH-RM66 Disc CL
Chain	Sram PC XXI	Shimano CN-HG94	Sram PC XXI	Shimano CN-HG74	KMC X10	Shimano CN-HG54	KMC X10	KMC X10
Cassette	Sram XXI / XG1199 10-42 T	Shimano XTR CS-M980 11-36 T	Sram XO1 / XG1195 10-42 T	Shimano CS-HG81-10 11-36 T	Shimano CS-HG62-10 11-36 T	Shimano SLX CS-HG81-10 11-36 T	Shimano CS-HG62-10 11-36 T	Shimano CS-HG62-10 11-36 T
Spokes	DT Swiss Aerolite	DT Swiss Aero Comp	DT Swiss Aero Comp	DT Swiss Aero Comp	Stainless Black 15G / 1.8mm	DT Swiss Champion Black 1.8mm	Stainless Black 15G / 1.8mm	Stainless Black 15G / 1.8mm
Rims	Syncros XR1.0 Carbon 28 H / Carbon rim / Tubeless ready	Syncros XR1.5 28H / Tubeless ready	Syncros XR RC 28H / Tubeless ready	Syncros XR2.0 28H / Tubeless ready	Syncros XC / Eyelets / 32H 700 : XC37	Syncros XC / Eyelets / 32H 700 : XC37	Syncros XC / Eyelets / 32H 700 : XC37	Syncros XC / Eyelets / 32H 700 : XC37 / 900 : XC39
Tires	Schwalbe Thunder Burt EVO / 2.1 127EPI Kevlar Bead Tubeless ready / Pace star compound	Schwalbe Rocket Ron EVO / 2.1 127EPI Kevlar Bead Tubeless ready / Pace star compound	Schwalbe Rocket Ron EVO / 2.1 127EPI Kevlar Bead Tubeless ready / Pace star compound	Schwalbe Rocket Ron EVO / 2.1 127EPI Kevlar Bead Tubeless ready / Pace star compound	Schwalbe Rocket Ron / 2.1 67EPI Kevlar Bead / Dual compound Performance Serie	Schwalbe Rocket Ron / 2.1 67EPI Kevlar Bead / Dual compound Performance Serie	Schwalbe Rocket Ron / 2.1 67EPI Kevlar Bead / Dual compound Performance Serie	Schwalbe Rocket Ron / 2.1 50EPI Active Line Serie

	GENIUS 700 TUNED	GENIUS 700 PREMIUM	GENIUS 710	GENIUS 720	GENIUS 730	GENIUS 740
new for MY14	new Pro and Opinion leader model FOX 32 Float FOX Nude shock with Boost Valve SRAM XXI / 11 Speed	new model FOX 32 fork for 700 instead 34 no Talas FOX Nude shock Shimano XTR	FOX 32 fork for 700 instead 34 no Talas FOX Nude shock 2 x 10	FOX 32 fork for 700 instead 34 no Talas FOX Nude shock rear thru axle 12 x 142mm	FOX 32 fork for 700 instead 34 no Talas FOX Nude shock	FOX 32 fork for 700 instead 34 FOX Float CTD shock rear thru axle 12 x 142mm
Frame	Genius Carbon / IMP / HMX net BB 92 / Carbon swingarm with 180PM U-Mono Link / Tapered Headtube IDS SL dropouts for 142 x 12mm BB height adj.	Genius Carbon / IMP / HMX net BB 92 / Carbon swingarm with 180PM U-Mono Link / Tapered Headtube IDS SL dropouts for 142 x 12mm BB height adj.	Genius Carbon / IMP / HMF net BB 92 / Alloy swingarm with 180PM U-Mono Link / Tapered Headtube IDS SL dropouts for 142 x 12mm BB height adj.	Genius Carbon / IMP / HMF net BB 92 / Alloy swingarm with 180PM U-Mono Link / Tapered Headtube IDS SL dropouts for 142 x 12mm BB height adj.	Genius Alloy 6061 custom butted hydroformed tubes / tapered Headtube BB92 / IDS SL dropout for 142 x 12mm U-Mono Link / rear 180PM BB height adj.	Genius Alloy 6061 custom butted hydroformed tubes / tapered Headtube BB92 / IDS SL dropout for 142 x 12mm U-Mono Link / rear 180PM BB height adj.
Travel	700 serie; Front 150mm Rear 150-100 - Climb / Shock 200 x 57	700 serie; Front 150mm Rear 150-100 - Climb / Shock 200 x 57	700 serie; Front 150mm Rear 150-100 - Climb / Shock 200 x 57	700 serie; Front 150mm Rear 150-100 - Climb / Shock 200 x 57	700 serie; Front 150mm Rear 150-100 - Climb / Shock 200 x 57	700 serie; Front 150mm Rear 150 / CTD / Shock 200 x 57
Fork	Fox 32 Float Factory CTD FIT Air / Kashima CTD remote damper with 3 modes 15mm QR axle / tapered steerer reb. Adj.	Fox 32 Float Factory CTD FIT Air / Kashima CTD remote damper with 3 modes 15mm QR axle / tapered steerer reb. Adj.	Fox 32 Float Factory CTD FIT Air CTD remote damper with 3 modes 15mm QR axle / tapered steerer reb. Adj.	Fox 32 Float Evolution CTD Air CTD remote damper with 3 modes 15mm QR axle / tapered steerer reb. Adj.	Fox 32 Float Evolution CTD Air CTD remote damper with 3 modes 15mm QR axle / tapered steerer reb. Adj.	Fox 32 Float Evolution CTD Air CTD remote damper with 3 modes 15mm QR axle / tapered steerer reb. Adj.
Rear Shock	Fox Nude / Scott custom w. travel / geo adj CTCD 3 modes : Climb - Traction control - Descend / Boost Valve / Kashima / reb. Adj.	Fox Nude / Scott custom w. travel / geo adj CTCD 3 modes : Climb - Traction control - Descend / Boost Valve / Kashima / reb. Adj.	Fox Nude / Scott custom w. travel / geo adj CTCD 3 modes : Climb - Traction control - Descend / reb. Adj.	Fox Nude / Scott custom w. travel / geo adj CTCD 3 modes : Climb - Traction control - Descend / reb. Adj.	Fox Nude / Scott custom w. travel / geo adj CTCD 3 modes : Climb - Traction control - Descend / reb. Adj.	Fox Float CTD / 3 modes Climb - Trail - Descend reb. Adj.
Remote System	Scott Twinloc Remote Technology 3 modes front and rear	Scott Twinloc Remote Technology 3 modes front and rear	Scott Twinloc Remote Technology 3 modes front and rear	Scott Twinloc Remote Technology 3 modes front and rear	Scott Twinloc Remote Technology 3 modes front and rear	Scott Twinloc Remote Technology 3 modes front and rear
Headset	Ritchey WCS Carbon Tapered 1.5" - 11/8" semi integr. OD 50/61mm / ID 44/55mm	Ritchey Pro Tapered 1.5" - 11/8" semi integr. OD 50/61mm / ID 44/55mm	Ritchey Pro Tapered 1.5" - 11/8" semi integr. OD 50/61mm / ID 44/55mm	Ritchey Pro Minus Tapered 1.5" - 1 1/8" semi integr. OD 50/61mm / ID 44/55mm	Ritchey Pro Minus Tapered 1.5" - 1 1/8" semi integr. OD 50/61mm / ID 44/55mm	Ritchey Pro Minus Tapered 1.5" - 1 1/8" semi integr. OD 50/61mm / ID 44/55mm
Rear Derailleur	Sram XXI 11 speed	Shimano XTR RD-M986 SGS Shadow Plus Type / 30 Speed	Shimano XT RD-M786 SGS Shadow Plus Type / 20 Speed	Shimano XT RD-M786 SGS Shadow Plus Type / 30 Speed	Shimano XT RD-M786 SGS Shadow Plus Type / 30 Speed	Shimano XT RD-M781 SGS Shadow Type / 30 Speed
Front Derailleur	E13 XCX Chainguide / ISCG05 Mount	Shimano XTR FD-M980-E / DM	Shimano XT FD-M785-E / DM	Shimano SLX FD-M670-A-E / DM	Shimano SLX FD-M670-A-E / DM	Shimano Deore FD-M610-E / DM
Shifters	Sram XXI Trigger right only multi adj. / with carbon cap with matchmaker clamp Tj	Shimano XTR SL-M980-I Rapidfire Plus / 2 way release I spec clamp	Shimano XT SL-M780-I Rapidfire Plus / 2 way release I spec clamp	Shimano SLX SL-M670-I Rapidfire Plus / 2 way release I spec clamp	Shimano SLX SL-M670-I Rapidfire Plus / 2 way release I spec clamp	Shimano Deore SL-M610-I Rapidfire Plus / 2 way release I specs
Brakelevers	Shimano XTR XC M987 Disc	Shimano XTR Trail M988 Disc	Shimano XT BL-M785 Disc	Shimano SLX BL-M675-B Disc	Shimano SLX BL-M675-B Disc	Shimano BL-M615 Disc
Brakes	Shimano XTR M987 Disc / metal pads with Fin 180/F and 180/R mm SM-RT99 CL Rotor	Shimano XTR M985 Disc 180/F and 180/R mm SM-RT99 CL Rotor	Shimano XT BR-M785 Disc 180/F and 180/R mm SM-RT64 CL Rotor	Shimano SLX BR-M675 Disc 180/F and 180/R mm SM-RT64 CL Rotor	Shimano SLX BR-M675 Disc 180/F and 180/R mm SM-RT64 CL Rotor	Shimano BR-M615 Disc 180/F and 180/R mm SM-RT64 CL Rotor
Crankset	Sram XXI GXP PF Carbon crankarm / QF168 32T	Shimano XTR FC-M980 hollowtech 2 42Ax32Ax24A T	Shimano XT FC-M785 hollowtech 2 38Ax24A T	Shimano XT FC-M782 hollowtech 2 40Ax30Ax22A T	Shimano XT FC-M782 hollowtech 2 40Ax30Ax22A T	Shimano FC-M622 2-piece Design 40Ax30Ax22T
BB-Set	Sram GXP PF integrated / shell 41x89.5mm	Shimano SM-BB94-41A / shell 41x89.5mm	Shimano SM-BB71-41A / shell 41x92mm	Shimano SM-BB71-41A / shell 41x92mm	Shimano SM-BB71-41A / shell 41x92mm	Shimano SM-BB71-41A / shell 41x92mm
Handlebar	Syncros FL1.0 Carbon T-Bar T shape flat / 9° / 720 mm Syncros Pro lockon grips	Syncros FL1.0 Carbon T-Bar T shape flat / 9° / 720 mm Syncros Pro lockon grips	Syncros FL1.5 Tbar Alloy 7050 D.B. / T shape Flat / 9° / 720mm Syncros Pro lockon grips	Syncros FL1.5 Tbar Alloy 7050 D.B. / T shape Flat / 9° / 720mm Syncros Pro lockon grips	Syncros FL1.5 Tbar Alloy 7050 D.B. / T shape Flat / 9° / 720mm Syncros Pro lockon grips	Syncros FL2.0 Tbar Alloy 6061 D.B. / T shape Flat / 9° / 720mm
H'stem	Syncros TR1.0 Carbon 7050 carbon wrapped / oversize 31.8mm 1-1/8" / 6° angle	Syncros TR1.0 Carbon 7050 carbon wrapped / oversize 31.8mm 1-1/8" / 6° angle	Syncros TR1.5 2014 / 4D forged / oversize 31.8mm 1-1/8" / 6° angle	Syncros TR1.5 2014 / 4D forged / oversize 31.8mm 1-1/8" / 6° angle	Syncros TR1.5 2014 / 4D forged / oversize 31.8mm 1-1/8" / 6° angle	Syncros TR2.0 6061 / 4D forged / oversize 31.8mm 1-1/8" / 6° angle
Pedal	nil	nil	nil	nil	nil	nil
Seatpost	Syncros FL1.0 Carbon / 31.6mm	Rock Shox Reverb Stealth 125 inside hydraulic remote system / 31.6mm	Rock Shox Reverb Stealth 125 inside hydraulic remote system / 31.6mm	Syncros FL1.5 / 31.6mm	Syncros FL1.5 / 31.6mm	Syncros FL2.5 / 31.6mm
Seat	Syncros XR1.0 / carbon rails	Syncros XR1.0 / carbon rails	Syncros TR1.5 / Titanium rails	Syncros TR2.0 / CROM rails	Syncros TR2.0 / CROM rails	Syncros TR2.0 / CROM rails
Hub front	Syncros TR1.0 Carbon CL / 15mm made by DT Swiss	Syncros TR1.5 CL / 15mm made by DT Swiss	Syncros TR2.0 CL / 15mm made by DT Swiss	Shimano SLX HB-M678 / 15mm	Shimano SLX HB-M678 / 15mm	Shimano HB-M618 / 15mm
Hub rear	Syncros TR1.0 Carbon CL / 12 x 142 RWS made by DT Swiss	Syncros TR1.5 CL / 12 x 142 RWS made by DT Swiss	Syncros TR2.0 CL / 12 x 142 RWS made by DT Swiss	Shimano SLX FH-M678 Disc CL 12 x 142mm / DT RWS axle	Shimano SLX FH-M678 Disc CL 12 x 142mm / DT RWS axle	Shimano FH-M618 Disc CL 142 x 12mm / DT RWS axle
Chain	Sram PC XXI	Shimano CN-HG94	Shimano CN-HG74	Shimano CN-HG54	Shimano CN-HG54	KMC X10
Cassette	Sram XXI / XG1199 10-42 T	Shimano XTR CS-M980 11-36 T	Shimano XT CS-M771 10-11-36 T	Shimano CS-HG62-10 11-36 T	Shimano CS-HG62-10 11-36 T	Shimano CS-HG62-10 11-36 T
Spokes	DT Swiss Aero Comp	DT Swiss Aero Comp	DT Swiss Aero Comp	DT Swiss Competition 2.0 -1.8-2.0 Black	DT Swiss Competition 2.0 -1.8-2.0 Black	DT Swiss Champion Black 1.8mm
Rims	Syncros TR1.0 Carbon 28 H / Carbon rim / Tubeless ready	Syncros TR1.5 28H / Tubeless ready	Syncros TR2.0 28 H / Tubeless ready	Syncros XC / Eyelets / 32H 700 : XC67 / 900 : XC69	Syncros XC / Eyelets / 32H 700 : XC67 / 900 : XC69	Syncros XC / Eyelets / 32H 700 : XC67 / 900 : XC69
Tires	Schwalbe Front : Nobby Nic EVO / 2.25 Rear : Rocket Ron EVO / 2.25 Pace Star compound / Tubeless ready	Schwalbe Nobby Nic EVO / 2.25 67 EPI Kevlar Bead Pace Star compound / Tubeless ready 700 serie : with snake skin	Schwalbe Nobby Nic EVO / 2.25 67 EPI Kevlar Bead Pace Star compound / Tubeless ready 700 serie : with snake skin	Schwalbe Nobby Nic EVO / 2.25 67 EPI Kevlar Bead Pace Star compound 700 serie : with snake skin	Schwalbe Nobby Nic EVO / 2.25 67 EPI Kevlar Bead Pace Star compound 700 serie : with snake skin	Schwalbe Nobby Nic Performance / 2.25 67 EPI Kevlar Bead Dual compound

	GENIUS LT 700 TUNED	GENIUS LT 720
new for MY14	new frame concept Pro and Opinion leader model FOX 34 170mm custom fork FOX Nude shock with Boost valve SRAM XO1 / 11 speed with integrated chainguide	new frame concept FOX 34 170mm custom fork FOX Float shock rear thru axle 12 x 142mm with integrated chainguide
Frame	Genius LT 700 Carbon / IMP5 / HMX net BB 92 / Carbon swingarm with 180PM U-Mono Link / Tapered Headtube IDS SL 142 x 12mm / integ. Chainguide BB height adj. / 170mm rear travel	Genius LT 700 Alloy 6061 custom butted hydroformed tubes / tapered Headtube U-Mono Link / rear 180PM IDS SL 142 x 12mm / integ. Chainguide BB height adj. / 170mm rear travel
Fork	Fox 34 Float Factory CTD FIT Air / Kashima CTD remote damper with 3 modes 15mm QR axle / tapered steerer reb. Adj. / 170mm travel	Fox 34 Float Evolution CTD Air CTD remote damper with 3 modes 15mm QR axle / tapered steerer reb. Adj. / 170mm travel
Shock	Fox Nude / Scott custom w. travel / geo adj CTCD 3 modes : Climb - Traction control - Descend / Boost Valve / Kashima / reb. Adj. 215 x 63mm	FOX Float CTD / 3 modes Climb - Trail - Descend reb. Adj. / 215 x 63mm
Remote System	Scott Twinloc Remote Technology 3 modes front and rear	Scott Twinloc Remote Technology 3 modes front and rear
Headset	Syncros FL1.5 Tapered 1.5" - 11/8" semi integr. OD 50/61mm / ID 44/55mm	Syncros FL2.0 Tapered 1.5" - 11/8" semi integr. OD 50/61mm / ID 44/55mm
Rear Derailleur	Sram XO1 11 speed	Sram X9 Type 2 long cage 20 Speed
Front Derailleur	E13 XCX Chainguide / ISCG05 Mount	Sram X5 DM S3 / dual pull
Shifters	Sram XO1 Trigger right only multi adj.	Sram X-7 Trigger adjustable clamp multi adj.
Brakelevers	Shimano XTR Trail M988 J-Kit Disc	Shimano BL-M615 Disc
Brakes	Shimano XTR M985 J-Kit Disc 203/F and 180/R mm SM-RT67 CL Rotor	Shimano BR-M615 Disc 203/F and 180/R mm SM-RT64 CL Rotor
Crankset	Sram XI GXP PF Bash guard / QF168 32T	Sram S-1000 GXP PF 2.2 AM Bash guard 38Ax24A T
BB-Set	Sram GXP PF integrated / shell 41x89.5mm	Sram GXP PF integrated / shell 41x89.5mm
Handlebar	Syncros AM1.0 Carbon 10Rise / 35mm 9° / 760 mm Syncros Pro lockon grips	Syncros AM1.5 10Rise / 35mm 9° / 760 mm Syncros Pro lockon grips
H'stem	Syncros XM1.5 35mm HB diameter / 0° angle	Syncros XM1.5 35mm HB diameter / 0° angle
Pedal	nil	nil
Seatpost	Rock Shox Reverb Stealth 125 inside hydraulic remote system / 31.6mm	Syncros FL2.0 / 31.6mm
Seat	Syncros TR1.5 / Titanium rails	Syncros TR2.0 / CROM rails
Hub front	Syncros AM1.5 CL / 15mm made by DT Swiss	Shimano HB-M618 / 15mm
Hub rear	Syncros AM1.5 CL / 12 x 142 RWS XD Body / made by DT Swiss	Shimano FH-M618 Disc CL 142 x 12mm / DT RWS axle
Chain	Sram PC XXI	KMC X10
Cassette	Sram XO1 / XG1195 10-42 T	DT Swiss Competition 2.0 -1.8-2.0 Black
Spokes	DT Swiss Aero Comp	DT Swiss Competition 2.0 -1.8-2.0 Black
Rims	Syncros AM1.5 28H / Tubeless ready	Syncros XC-67 Disc / 32H Eyelets
Tires	Schwalbe Front : Hans Dampf EVO / 27.5 x 2.35 / Trail Star Rear : Nobody EVO / 27.5 x 2.35 / Pace Star 67 EPI / Kevlar / Snake Skin / Tubeless ready	Schwalbe Hans Dampf 27.5 x 2.35 / 67 EPI / Kevlar Bead Dual Compound / Performance Serie

	GAMBLER 10	GAMBLER 20	GAMBLER 30
New MY14	Fox 40 RC2 FIT Factory Kashima Fox DHX RC4 Coil Kashima Schwalbe Magic Mary 26 x2.35	Shimano Deore BR-M615 Schwalbe Magic Mary 26 x2.35	Schwalbe Magic Mary 26 x2.35
Frame	Gambler Alloy 6061 Hydroformed custom butted PF BB107 / IDS DH 12x150mm Dropout BB height adjustable ISCG05 / 210mm rear travel	Gambler Alloy 6061 Hydroformed custom butted PF BB107 / IDS DH 12x150mm Dropout BB height adjustable ISCG05 / 210mm rear travel	Gambler Alloy 6061 Hydroformed custom butted IDS DH 12x150mm Dropout BB height adjustable ISCG05 / 210mm rear travel
Fork	Fox 40 RC2 FIT Factory 203mm travel / Kashima / Air Spring preload adj. / Reb-Comp High & low speed adj. 20mm thru axle / alloy steerer	Fox 40 O/V Performance 203mm travel / Coil preload adj. / Reb adj. 20mm thru axle / alloy steerer	RockShox Boxxer RC 203mm travel / Coil Reb and Comp. adj. Maxle Lite DH 20mm / alloy steerer
Shock	Fox DHX RC4 Coil Kashima / Boost valve technology Reb. / low-speed comp / Bottom out force adj. custom tuned / 267x89mm spring rates S 250 / M 300 / L 350	Fox VAN RC Coil Rebound and compression adj. custom tuned / 267x89mm spring rates S 250 / M 300 / L 350	Fox VAN R Coil Rebound adj. custom tuned / 267x89mm spring rates S 250 / M 300 / L 350
Headset	Syncros DH adjustable semi integrated / adj +1° or +2° with cup ID 49.6mm / OD 55mm	Syncros DH adjustable semi integrated / adj +1° or +2° with cup ID 49.6mm / OD 55mm	Syncros DH semi integrated / straight ID 49.6mm / OD 55mm
Rear Derailleur	Shimano Saint RD-M820-SS short cage / 10-Speed	Shimano Zee RD-M640-SS short cage / 10-Speed	Sram X5 medium cage / 8-Speed
Shifters	Shimano Zee SL-M640 Rapidfire Plus / 2 way release	Shimano Zee SL-M640 Rapidfire Plus / 2 way release	Sram X4 Trigger Shifter
Brakelevers	Shimano Zee BL-M640	Shimano BL-M615	Avid Elixir
Brakes	Shimano Zee BR-M640 Disc 4 Piston / 203mm / SM-RT76L Rotor	Shimano Deore BR-M615 Disc 203mm / SM-RT66L Rotor	Avid Elixir Disc 200mm / G2CS Rotor
Crankset	Shimano Saint FC-M825 36T alloy chainring Hollowtech II / 165mm	Shimano Zee FC-M645 36T alloy chainring / 165mm	Truvativ Ruktion 1.0 36T chainring / 165mm
BB-Set	Shimano SM-BB71-41A Shell 41x104.5mm	Shimano SM-BB71-41A Shell 41x104.5mm	Truvativ HowitzerTM Shell 83mm
Chainguide	E.thirteen LG-1 ISCG05 / w/Taco alloy backplate	E.thirteen LG-1 ISCG05 / w/Taco	E.thirteen LG-1 ISCG05 / w/Taco
Handlebar Grips	Syncros DH1.5 31.8mm / 800mm / 20mm Rise Syncros Pro DH dual lock on grips	Syncros DH1.5 31.8mm / 800mm / 20mm Rise Syncros Pro DH dual lock on grips	Syncros DH1.5 31.8mm / 800mm / 20mm Rise Syncros Pro DH dual lock on grips
H'stem	Syncros DH1.5 31.8mm / Direct Mount 42-47mm ext.	Syncros DH1.5 31.8mm / Direct Mount 42-47mm ext.	Syncros DH1.5 31.8mm / Direct Mount 42-47mm ext.
Pedal	nil	nil	nil
Seatpost	Syncros FL1.5 / 31.6 / Alloy7050 offset	Syncros FL2.0 / 31.6mm / Alloy6061 offset	Syncros FL2.0 / 31.6mm / Alloy6061 offset
Seat	Syncros DH2.0 / CrMo Rails	Syncros DH2.5 / Steel Rails	Syncros DH2.5 / Steel Rails
Hub front	Formula DHL-92 / 110x20mm thru axle	Formula DHL-92 / 110x20mm thru axle	Formula DHL-92 / 110x20mm thru axle
Hub rear	DT Swiss 350 150x12mm thru axle / sealed bearings	Formula DHL-150 150x12mm thru axle / sealed bearings	Formula DHL-150 150x12mm thru axle / sealed bearings
Chain	Shimano CN-HG54	Shimano CN-HG54	KMC Z7
Cassette	Shimano CS-4600 / 11-25 T DH cassette	Shimano CS-4600 / 11-25 T DH cassette	Sram PG-830 / 11-28 T
Spokes	DT Swiss Competition / 2.0/1.8 Black	DT Swiss Champion / 2.0 Black	DT Swiss Industry / 2.0 Black
Rims	DT Swiss FR600 / 32H Black	Syncros FR32 Disc / 32H Black	Syncros FR32 Disc / 32H Black
Tires	Schwalbe Downhill Evolution Line front : Magic Mary 26 x2.35 Vertstar rear : Magic Mary 26 x 2.35 Trailstar Triple Nano Compound / Wire Bead Supergravity	Schwalbe Downhill Evolution Line front : Magic Mary 26 x2.35 Vertstar rear : Magic Mary 26 x 2.35 Trailstar Triple Nano Compound / Wire Bead Supergravity	Schwalbe Downhill Evolution Line front : Magic Mary 26 x2.35 Vertstar rear : Magic Mary 26 x 2.35 Trailstar Triple Nano Compound / Wire Bead Supergravity

	VOLTAGE FR 10	VOLTAGE YZ 0.1	VOLTAGE YZ 0.2	VOLTAGE YZ 20
Frame	Shimano Deore BR-M615 VoltageFR Alloy 6061 hydroformed tubing ISCG & ISCG05 tabs / headtube for 1.5" IDS Dropout with 135x12mm thru axle 160-180mm travel	New Frame / 35mm H.bar&H.stem Voltage A-Frame 26 hydroformed tubing super stiff 6061 alloy frame Disc Dropout, horizontal for 135x10mm singlespeed	New Frame Voltage A-Frame 26 hydroformed tubing super stiff 6061 alloy frame Disc Dropout, horizontal for 135x10mm singlespeed	New frame 2. Color Opt. Voltage C-frame 26 hydroformed tubing super stiff 6061 alloy frame Disc Dropout
Fork	RockShox Domain Dual Crown R 200mm travel / Coil / Reb adj. 20mm Maxle / steel steerer	Marzocchi DJ3 100mm travel / Coil / Fix Rebound	RST Dirt 80mm travel / firm spring DJ setup	Suntour XCM 100mm travel / preload adj.
Rearshock	Fox VAN R Coil / Rebound adj. custom tuned / 240x76mm spring rates S 300 / L 350			
Headset	FSA Orbit E 1.5R alloy cups / 1.5" Reducer to 1 1/8" / semi-integrated ID 49.6mm / OD 55mm	Ritchey H/S Logic Zero Press Fit	Ritchey H/S Logic Zero Press Fit	Ritchey Logic OE integ.
Rear Derailleur	Sram X7 / short cage / 9-Speed	Singlespeed	Singlespeed	Shimano Altus RD-M370 / 24-Speed
Chainguide / Front Derailleur	E.thirteen LS-1 ISCG05 / w/Taco			Shimano FD-M190A / 31.8mm
Shifters	Sram X5 / Trigger Shifter			Shimano Altus SL-M370 / RF-fire plus w/ gear indicator
Brakelevers	Shimano Deore BL-M615	Shimano BL-M395	Scott Comp	Shimano BL-M395
Brakes	Shimano Deore BR-M615 Disc 203mm / SM-RT66L Rotor	Shimano BR-M395 Hydraulic Disc / 160mm Rotor	Tekro Novela Mechanical Disc / 160mm Rotor	Shimano BR-M395 / Hydraulic Disc 160mm / SM-RT30 Rotor
Crankset	Truvativ Hussefelt.1.0 36T chainring / 165mm	Scott Cr-Mo 3-piece cranks 170mm / 28T Alloy BMX sprocket	Scott Cr-Mo 3-piece cranks 170mm / 28T Alloy BMX sprocket	Shimano FC-M171 42x34x24 w/CG
BB-Set	Truvativ HowitzerXR / Shell 73mm	Jien-Yuan BB92 / 19mm Axle	Jien-Yuan BB92 / 19mm Axle	Chian-Haur / CH-52 - B
Handlebar Grips	Syncros FR1.5 31.8mm / 780mm / 20mm Rise Syncros Pro DH dual lock on grips	Syncros DJ1.5 35mm / 760mm / 40mm Rise Syncros Pro DH dual lock on grips	Syncros DJ2.0 / 31.8mm 750mm / 50mm Rise Syncros Pro DH dual lock on grips	Lee-Chi HB-3188 / Alloy 640mm / 30mm uprise
H'stem	Syncros DH1.5 31.8mm / Direct Mount 42-47mm ext.	Syncros XM1.5 35mm / 50mm / 0°	Scott Voltage 1-1/8" / 10°	Lee-Chi MA-50 1-1/8" / 10°
Pedal	Wellgo B155U SCT / flat / w/replaceable pins	Wellgo B107.N flat	Wellgo B107.N flat	VP-560
Seatpost	Syncros FR2.0 / 31.6mm / zero offset	Syncros Pivotal / 31.6mm	Syncros Pivotal / 31.6mm	HL SP-238 alloy / 31.6
Seat	Syncros FR2.5	Syncros Pivotal VL-7121	Syncros Pivotal VL-7121	Voltage DJ VL-7104
Hubs Front	Formula DHL-92 / 110x20mm / thru axle	Formula DC-20-N / 135mm / nutted	Formula DC-20-N / 135mm / nutted	Formula CL 51
Hub Rear	Formula DHL-135 135x12mm thru axle / sealed bearings	Formula DC42-N w/tracknut / singlespeed	Formula DC42-N w/tracknut / singlespeed	Shimano FH-RM35 CL
Chain	Sram CN-PC-951	KMC Z510	KMC Z510	KMC Z-7
Cassette	Sram PG-950 / 11-28 T	Sprocket / 12T	Sprocket / 12T	Shimano Altus CS-HG31-8 / 11-32T
Spokes	DT Swiss Industry / black	Stainless 14G / black / 2.0mm	Stainless 14G / black / 2.0mm	Stainless 14G / black / 2.0mm
Rims	Syncros FR32 Disc / 32H	Syncros FR30 Disc / 32H	Syncros FR30 Disc / 32H	Alex X-36 Disc / 32H / black
Tires	Schwalbe Downhill Evolution Line front : Magic Mary 26 x2.35 Vertstar rear : Magic Mary 26 x 2.35 Trailstar Triple Nano Compound / Supergravity	Schwalbe Table Top Sport Active line 50EPI / wire / 26x2.25 Timo's signature tires	Schwalbe Table Top Sport Active line 50EPI / wire / 26x2.25 Timo's signature tires	Schwalbe Table Top Sport Active line 50EPI / wire / 26x2.25 Timo's signature tires



	ASPECT 720	ASPECT 740	ASPECT 750
Frame	Aspect 700 serie Alloy 6061 D.B. Performance geometry	Aspect 700 serie Alloy 6061 Performance geometry	Aspect 700 serie Alloy 6061 Performance geometry
Fork	Suntour XCR-RL-R 27.5" Remote Lockout, reb. Adj, 100mm travel	Suntour XCM-HLO 27.5" Lockout 100mm travel	Suntour XCT-MLO 27.5" Lockout 100mm travel
Headset	Ritchey Logic OE integ.	Ritchey Logic OE integ.	Ritchey Logic OE integ.
Rear Derailleur	Shimano Deore RD-M610 SGS Shadow Type 30 Speed	Shimano Acera RD-M390 27 Speed	Shimano Altus RD-M370 24 Speed
Front Derailleur	Shimano Deore FD-M610 / 34.9mm	Shimano FD-M370 / 34.9mm	Shimano FD-M190 / 34.9mm
Shifters	Shimano Deore SL-M610 Rapidfire plus 2 way release w/gear indicator	Shimano SL-M370-9R R-fire plus	Shimano ST-EF 51 L / 8R EZ-fire plus
Brakelevers	Shimano BL-M395	Shimano BL-M395	nil
Brakes	Shimano BR-M395 Hydr. Disc 160F/160R mm SM-RT30 CL Rotor	Shimano BR-M395 Hydr. Disc 160F/160R mm SM-RT30 CL Rotor	Shimano BR-M375L Mech. Disc 160F/160R mm SM-RT30 CL Rotor
Crankset	Shimano FC-MS22 42x32x22	Shimano FC-M391 44x32x22 w/CG	Shimano FC-M171 42x34x24 w/CG
BB-Set	Shimano BB-ES-25 Cartridge Type	Shimano BB-UN 26 Cartridge Type	Chian-Haur CH-52 - B
Handlebar	Syncros M2.5 31.6mm, black, 31,8mm 15mm rise 8°	Syncros M2.5 660mm, black, 31,8mm 15mm rise 8°	Aspect OS 660mm, black, 31,8mm 15mm rise 8°
H'stem	Syncros M2.5 JD-ST57 A	Syncros M2.5 HL TDS-D345A-8	Aspect HL TDS-D345A-8
Pedal	Wellgo C 128	Wellgo C 127 S	Wellgo C 127 S
Seatpost	Syncros M2.5, 31.6mm	Syncros M2.5, 31.6mm	Alloy, 31.6mm
Seat	Aspect SCT19	Aspect SCT19	Aspect 3426C
Hub front	Formula CL51	Formula CL51	Formula CL51
Hub rear	Shimano FH-RM 35-CL	Shimano FH-RM 35-CL	Shimano FH-RM 35-CL
Chain	KMC X10	KMC X9	KMC Z-7
Cassette	Shimano CS-HG62-10 11-36	Shimano CS-HG20-9 11-34	Shimano CS-HG31-8l 11-32
Spokes	14 G, stainless, black	14 G, stainless, black	14 G, stainless, black
Rims	Syncros X-37 Disc 32H, black	Syncros X-37 Disc 32H, black	Syncros X-37 Disc 32H, black
Tires	Schwalbe Rapid Rob 27.5 x 2.25 /50TPI	Impac Ridgepac 27.5 x 2.25 / 24TPI	Impac Ridgepac 27.5 x 2.25 / 24TPI
Tires	Schwalbe Downhill Evolution Line front : Magic Mary 26 x2.35 Vertstar rear : Magic Mary 26 x 2.35 Trailstar Triple Nano Compound / Wire Bead Supergravity	Schwalbe Downhill Evolution Line front : Magic Mary 26 x2.35 Vertstar rear : Magic Mary 26 x 2.35 Trailstar Triple Nano Compound / Wire Bead Supergravity	Schwalbe Downhill Evolution Line front : Magic Mary 26 x2.35 Vertstar rear : Magic Mary 26 x 2.35 Trailstar Triple Nano Compound / Wire Bead Supergravity

	SUB SPEED 40	SUB 40
	8 speed Acera, V-Brake	8 speed Acera, V-Brake
Frame	SUB double butted 6061 alloy, 700c	SUB double butted alloy, 700c
Fork	SUB alloy, 700C	Scott SUB 700C, V-brake only
Headset	Ritchey OE Logic Zero, semi integrated	Ritchey OE Logic Zero, semi integrated
Rear Derailleur	Shimano RD-M 360 Acera 24 Speed	Shimano RD-M 360 Acera, 24 Speed
Front Derailleur	Shimano FD-M191 34.9mm clamp	Shimano FD-M191 34.9mm clamp
Shifters	Shimano ST-EF 51A L / 8R EZ-fire plus	Shimano ST-EF 51A L / 8R EZ-fire plus
Brakelevers	Shimano ST-EF 51A	Shimano ST-EF 51A
Brakes	Scott Comp V-brake	Scott Comp V-brake
Crankset	Shimano FC-M171 48x38x28	Shimano FC-M171, 48x38x28 w/ chainguard
BB	Shimano BB-UN 26 / 68-122mm	Shimano BB-UN 26 / 68-122mm
Handlebar	Scott 620mm 9° bend	Scott 600mm, 9° bend
H'stem	Scott JD-ST58 A 31,8mm	Scott JD-ST58 A (31,8mm)
Pedal	SP-822	VP 856
Seatpost	Alloy SP-238 31.6mm	HL SP-238 31.6mm
Seat	SUB-SC-30	SUB-SC-30
Hub front	Formula FM-21	Scott CO-21
Hub rear	Shimano FH-RM 30	Shimano FH-RM 30
Chain	KMC Z-7	KMC Z-7
Cassette	Shimano CS-HG31, 11-32T	Shimano CS-HG31 11-32T
Spokes	stainless black, 14G/2mm	stainless black, 14G/2mm
Rims	Ryde Xplorer, 32H, CNC	Ryde DP 2000 700C, 32H, CNC
Tires	Schwalbe spicer 700 x 35C	Schwalbe Citizen 700 x 37C
Tires	Schwalbe Downhill Evolution Line front : Magic Mary 26 x2.35 Vertstar rear : Magic Mary 26 x 2.35 Trailstar Triple Nano Compound / Wire Bead Supergravity	Schwalbe Downhill Evolution Line front : Magic Mary 26 x2.35 Vertstar rear : Magic Mary 26 x 2.35 Trailstar Triple Nano Compound / Wire Bead Supergravity

	CONTESSA SOLACE 15 CD 22-SP	CONTESSA SOLACE 25 CD 20-SP	CONTESSA SOLACE 35 CD 20-SP	CONTESSA CRI 30-SP	CONTESSA SPEEDSTER 15 CD 20-SP
Frame	SOLACE HMF net IMP Carbon technology Road Comfort geometry INT BB	SOLACE HMF net IMP Carbon technology Road Comfort geometry INT BB	SOLACE HMF net IMP Carbon technology Road Comfort geometry INT BB	CRI Carbon net IMP Carbon technology Road Comfort geometry STD BB	Speedster D.Buttet 6061 Alloy Road geometry Integrated Headtube
Fork	Solace HMF net 11/8 " Carbone steerer Integrated Carbon Dropout	Solace HMF net 11/8 " Carbone steerer Integrated Carbon Dropout	Solace HMF net 11/8 " Carbone steerer Integrated Carbon Dropout	CRI Carbon 11/8 " Carbon steerer Alloy Dropout	Speedster Carbon/Alloy 11/8 " Alloy steerer
Headset	Ritchey PRO Int. Cartridge	Ritchey PRO Int. Cartridge	Ritchey PRO Int. Cartridge	Ritchey Int. Cartridge	Integrated Steel Cup
Rear Derailleur	Shimano Ultegra RD-6800-GS 22 Speed	Shimano 105 Black RD-5701-SS 20 Speed	Shimano 105 Black RD-5701-SS 20 Speed	Shimano Tiagra RD-4601/GS 30 Speed	Shimano 105 Black RD-5701-SS 20 Speed
Front Derailleur	Shimano Ultegra FD-6800	Shimano 105 FD-5700 Black	Shimano Tiagra FD-4600	Shimano Tiagra FD-4603	Shimano 105 FD-5700 Black
Shifters	Shimano Ultegra ST-6800 Carbon Dual control 22 Speed	Shimano 105 Black ST-5700 Dual control 20 Speed	Shimano 105 Black ST-5700 Dual control 20 Speed	Shimano Tiagra ST-4600 Dual control 30 Speed	Shimano 105 Black ST-5700 Dual control 20 Speed
Brakelevers
Brakes	Shimano Ultegra BR-6800 / BR-5710 rear Super SLR Dual pivot / Direct mount rear	Shimano 105 BR-5700 / Tekro 740 rear Super SLR Dual pivot / direct mount rear	Shimano BR-561 front / Tekro 740 rear Super SLR Dual pivot / direct mount rear	Tektro SCBR-525 Catridge Pads	Shimano BR-R561 Black Super SLR Dual pivot
Crankset	Shimano Ultegra FC-6800 GREY Hollowtech II 50 x 34	Shimano 105 Compact Black FC-5750 Hollowtech II 50 x 34	Shimano FC - R565 Compact Black Hyperdrive 50 x 34	Shimano Tiagra FC-4603 Hollowtech 50 x 39 x 30	Shimano FC - R565 Compact Black Hyperdrive 50 x 34
BB-Set	INT SM-BB7241	INT SM-BB7141	INT SM-BB7141	Shimano BB - 4600	Shimano BB - 4600
Handlebar	Syncros RR2.0 Woman 31.8 mm Lady Anatomic	Syncros RR2.0 Woman 31.8 mm Lady Anatomic	Syncros RR2.0 Woman 31.8 mm Lady Anatomic	Syncros RR2.0 Woman 31.8 mm Lady Anatomic	Syncros RR2.0 Woman 31.8 mm Lady Anatomic
H'stem	Syncros FL2.0 Woman 1-1/8" - 31.8 mm	Syncros FL2.0 Woman 1-1/8" - 31.8 mm	Syncros FL2.0 Woman 1-1/8" - 31.8 mm	Syncros FL2.0 Woman 1-1/8" - 31.8 mm	Syncros FL2.0 Woman 1-1/8" - 31.8 mm
Pedal
Seatpost	Syncros FL1.0 Zero Carbon 27.2/300 mm, w/o offset	Syncros WR1.4 Woman Carbon/Alloy 27.2/300 mm, w/o offset	Syncros WR1.4 Woman Carbon/Alloy 27.2/300 mm, w/o offset	Syncros WR1.4 Woman Carbon/Alloy 31.6/300 mm, w/o offset	Syncros WR2.0 Woman Alloy 31.6/300 mm, w/o offset
Seat	Syncros WR2.5	Syncros WR2.5	Syncros WR2.5	Syncros WR3.0	Syncros WR2.5
Hub front	Syncros RP2.0	Shimano WH RS11-A	Shimano WH R501-A	Formular PRO 20 H	Scott Team 20 H
Hub rear	Syncros RP2.0	Shimano WH RS11-A	Shimano WH R501-A	Formular PRO 24 H	Scott Team 24 H
Chain	Shimano Ultegra CN-6800	Shimano Tiagra CN-4600	KMC X10	KMC X10	KMC X10
Cassette	Shimano Ultegra CS-6800 11-32 T	Shimano Tiagra CS-4600 12-30 T	Shimano Tiagra CS-4600 12-30 T	Shimano Tiagra CS-4600 12-30 T	Shimano Tiagra CS-4600 12-30 T
Spokes	Syncros RP2.0	Shimano WH RS11-A	Shimano WH R501-A	CN - Aero Black 2 mm	CN - Standard Black 2 mm
Rims	Syncros RP2.0 18 Front / 24 Rear	Shimano WH RS11-A 16 Front / 20 Rear	Shimano WH R501-A 16 Front / 20 Rear	Syncros Race 27 Aero Profile 20 Front / 24 Rear	Syncros Race 27 Aero Profile 20 Front / 24 Rear
Tires	Schwalbe Durano S FOLD 700 x 25 C	Schwalbe Durano S FOLD 700 x 25 C	Schwalbe Durano S FOLD 700 x 25 C	Schwalbe Racepac 700 x 25 C	Schwalbe Lugano 700 x 25 C
Rims	Syncros FR32 Disc / 32H	Syncros FR30 Disc / 32H	Syncros FR30 Disc / 32H	Alex X-36 Disc / 32H / black	.
Tires	Schwalbe Downhill Evolution Line front : Magic Mary 26 x2.35 Vertstar rear : Magic Mary 26 x 2.35 Trailstar Triple Nano Compound / Supergravity	Schwalbe Table Top Sport Active line 50EPI / wire / 26x2.25 Timo's signature tires	Schwalbe Table Top Sport Active line 50EPI / wire / 26x2.25 Timo's signature tires	Schwalbe Table Top Sport Active line 50EPI / wire / 26x2.25 Timo's signature tires	.

CONTESSA SPEEDSTER 25 30-SP	CONTESSA SPEEDSTER 35 27-SP	CONTESSA SPEEDSTER 45 24-SP	
Speedster D.Butt'd 6061 Alloy Road geometry Integrated Headtube	Speedster D.Butt'd 6061 Alloy Road geometry Integrated Headtube	Speedster D.Butt'd 6061 Alloy Road geometry Integrated Headtube	Frame
Speedster Carbon/Alloy 1 1/8" Alloy steerer	Speedster Carbon/Alloy 1 1/8" Alloy steerer	Speedster Carbon/Alloy 1 1/8" Alloy steerer	Fork
Integrated Steel Cup	Integrated Steel Cup	Integrated Steel Cup	Headset
Shimano Tiagra RD-4601/GS 30 Speed	Shimano Sora RD-3500-GS 27 Speed	Shimano Sora RD-3500-GS 24 Speed	Rear Derailleur
Shimano Tiagra FD-4603	Shimano FD 3503	Shimano Claris FD 2403	Front Derailleur
Shimano Tiagra ST-4600 Dual control 30 Speed	Shimano Sora ST-3500 Dual control 18/27 Speed	Shimano Claris ST-2400 Dual control 24 Speed	Shifters
			Brakelevers
Tektro SCBR-525 Cartridge Pads	Tektro SCBR-525 Cartridge Pads	Tektro Comp SCBR 312 39-49 mm	Brakes
Shimano Tiagra FC-4603 Hollowtech 50 x 39 x 30	Shimano FC-R453 Octalink 50 x 39 x 30	Shimano Claris FC2403 Black 30/39/50 T	Crankset
Shimano BB - 4600	Shimano Octalink BB - ES25	Shimano Octalink BB - ES25	BB-Set
Syncros RR2.0 Woman 31.8 mm Lady Anatomic	Syncros RR2.0 Woman 31.8 mm Lady Anatomic	Syncros RR2.0 Woman 31.8 mm Lady Anatomic	Handlebar
Syncros FL2.0 Woman 1-1/8" - 31.8 mm	Syncros FL2.0 Woman 1-1/8" - 31.8 mm	Syncros FL2.0 Woman 1-1/8" - 31.8 mm	H'stem
			Pedal
Syncros WR2.0 Woman Alloy 31.6/300 mm, w/o offset	Syncros WR2.0 Woman Alloy 31.6/300 mm, w/o offset	Syncros WR2.0 Woman Alloy 31.6/300 mm, w/o offset	Seatpost
Syncros WR3.0	Syncros WR3.0	Syncros WR3.0	Seat
Scott Comp 20 H	Scott Comp 20 H	Scott Comp 20 H	Hub front
Scott Comp 24 H	Scott Comp 24 H	Scott Comp 24 H	Hub rear
KMC X10	Shimano HG53 KMC	Shimano HG 50 KMC	Chain
Shimano Tiagra CS-4600 12-30 T	Shimano HG50-9 9 Speed 11-30T	Shimano HG50-8 8 Speed 11-30T	Cassette
CN - Standard Black 2 mm	CN - Standard Black 2 mm	CN - Standard Black 2 mm	Spokes
Syncros Race 27 Aero Profile 20 Front / 24 Rear	Syncros Race 27 Aero Profile 20 Front / 24 Rear	Syncros Race 27 Aero Profile 20 Front / 24 Rear	Rims
Schwalbe Lugano 700 x 25 C	Schwalbe Racepac 700 x 25 C	Schwalbe Racepac 700 x 25 C	Tires
			Rims
			Tires

	VOLTAGE JR 24	VOLTAGE JR 20	VOLTAGE JR 16	VOLTAGE JR 12	VOLTAGE WALKER	SCALE JR 24	SCALE JR 20	CONTESSA JR 24	CONTESSA JR 20	SPEEDSTER JR 24
	2.color options									
Frame	Scott Junior 24 Voltage Octagon tubing Alloy 6061 P.G.	Scott Junior 20 Voltage Octagon tubing Alloy 6061 P.G.	Scott Junior 16 Voltage Octagon tubing Alloy 6061 P.G.	Scott Junior 12 Voltage Octagon tubing Alloy 6061 P.G.	Scott Walker 12 Alloy 6061 P.G.	Scott Racing 24 Junior Alloy 6061 P.G. hydroformed tubing Pressed D/out	Scott Racing 20 Junior Alloy 6061 P.G. Pressed D/out	Scott Junior 24 Contessa low standover height Alloy 6061 P.G.	Scott Junior 20 Contessa low standover height Alloy 6061 P.G.	D.Butt'd 6061 Alloy Tubing FB Road geometry Integrated Headtube
Fork	SR Suntour XCT-JR suspension fork / 50mm softer spring setup	SR Suntour XCT-JR suspension fork / 40mm softer spring setup	BMX Type / rigid Hi-ten	BMX Type / rigid Hi-ten	BMX Type / rigid Hi-ten	SR Suntour XCT-JR suspension fork / 50mm softer spring setup	SR Suntour XCT-JR suspension fork / 40mm softer spring setup	SR Suntour XCT-JR suspension fork / 50mm softer spring setup	SR Suntour XCT-JR suspension fork / 40mm softer spring setup	Speedster Alloy 1 1/8" Alloy steerer Integrated
Headset	VP-A71 / black	VP-A71 / black	VP 755 / black	VP 755 / black	VP-H733D	VP-A71 / black	VP-A71 / black	VP-A71 / black	VP-A71 / black	Ritchey Logic OE Integ.
Rear Derailleur	Shimano RD-TX35 GS 18-Speed	Shimano RD-TX35 GS 6-Speed	nil	nil	nil	Shimano Altus RD-M370 21-Speed	Shimano RD-TX35 GS 6-Speed	Shimano RD-TX35 GS 18-Speed	Shimano RD-TX35 GS 6-Speed	Shimano Sora RD-3400 16 Speed
Front Derailleur	Shimano FD-M190A	nil	nil	nil	nil	Shimano FD-M190A	nil	Shimano FD-M190A	nil	Shimano FD 2303 - F
Shifters	Shimano SL-RS36-6 Revo Shifter	Shimano SL-RS36-6 Revo Shifter	Single Speed	Single Speed	nil	Shimano SL-RS36-6 Revo Shifter	Shimano SL-RS36-6 Revo Shifter	Shimano SL-RS36-6 Revo Shifter	Shimano SL-RS36-6 Revo Shifter	Shimano ST-2300 Dual control 16 Speed
Brakelevers	Tektro TS-325-A	Tektro JL510-TS	Tektro 317A	Tektro 317A	nil	Tektro TS-325-A	Tektro JL510-TS	Tektro TS-325-A	Tektro JL510-TS	.
Brakes	Promax SCB 209 P kids specific	Promax SCB 209 P kids specific	Tektro 984A / alloy caliper	Tektro 984A / alloy caliper	nil	Tektro J-310 linear spring	Promax SCB 209 P kids specific	Promax SCB 209 P kids specific	Promax SCB 209 P kids specific	Scott Comp SCBR 312 39-49 mm
Crankset	SR Suntour CW9-XCT-JR 22x32x42 / 152mm / white	Lasco single 36T 140mm	ChuanWei 28T	ChuanWei 28T	nil	SR Suntour CW9-XCT-JR 22x32x42 / 152mm	Lasco single 36T 140mm	SR Suntour CW9-XCT-JR 22x32x42 / 152mm	Lasco single 36T 140mm	Lasco alloy road crank 46/34 T alloy
BB-Set	VP BC-55P	VP BC-55P	ChuanWei	ChuanWei	nil	TH BB-7420-ST	CH-46	VP BC-55P	TH M-1	VP-BC73C Square BB
Handlebar	Junior Riserbar 560mm / 40mm Rise	Junior Riserbar 540mm	Junior Riserbar 460mm / 65mm Rise	Junior Riserbar 460mm / 65mm Rise	Junior Riserbar 400mm / 30mm Rise	Junior Flatbar 540 mm	Junior Flatbar 540 mm	Junior Riserbar 560mm / 40mm Rise	Junior Riserbar 540mm	Scott Road Pilot JR Anatomic 25.4 mm 370mm width
H'stem	HL-TDS-C41-8 1-1/8" / 15°	HL-TDS-C41-8 1-1/8" / 15°	HL / Y1	HL / Y1	HL / HA-C39-2	HL-TDS-C41-8 1-1/8" / 15°	HL-TDS-C41-8 1-1/8" / 15°	HL-TDS-C41-8 1-1/8" / 15°	HL-TDS-C41-8 1-1/8" / 15°	Scott Road Pilot JR 1-1/8" / four Bolt 31.8 mm 60mm
Pedal	VP-570	VP-580	VP-580	VP-260N	nil	VP-560	VP-570	VP-570	VP-580	VP-383S
Seatpost	Alloy 26.8x300mm	Alloy 26.8x200mm	Alloy 26.8x200mm	Alloy 26.8x200mm	Alloy 26.8x200mm	Alloy 26.8x300mm	Alloy 26.8x200mm	Alloy 26.8x300mm	Alloy 26.8x200mm	Scott Alloy 27.2 / 300 mm
Seat	VC-SCT-22	VC-SCT-22	VC-SCT-24	VL-S5041	VL-S5041	Junior Racing VL-5061	Junior Racing VL-5061	VC-SCT-22	VC-SCT-22	Junior Racing VL-50610
Hub front	JY-431 / 32H / Nutted	JY-433 / 32H / Nutted	KT-103F / 16H / Nutted	KT-103F / 16H / Nutted	KT-A86F / 16H / Nutted	FM-21 FQR / 32H	JY-433 / 32H / Nutted	JY-431 / 32H / Nutted	JY-433 / 32H / Nutted	Scott Comp 20 H
Hub rear	JY-432 / 32H / Nutted	JY-434 / 32H / Nutted	KT-305RT / 16H Nutted coaster brake	KT-305RT / 16H Nutted coaster brake	KT-A86F / 16H / Nutted	FM-32 7QR / 32H	JY-434 / 32H / Nutted	JY-432 / 32H / Nutted	JY-434 / 32H / Nutted	Scott Comp 24 H
Chain	KMC Z-51	KMC Z-51	KMC 410	KMC 410	nil	KMC Z-51	KMC Z-51	KMC Z-51	KMC Z-51	KMC HG-50
Cassette	Shimano MF-TZ20 14-28	Shimano MF-TZ20 14-29	18T	18T	nil	Shimano Acera CS-HG41-7 11-28	Shimano MF-TZ20 14-28	Shimano MF-TZ20 14-28	Shimano MF-TZ20 14-29	Shimano CS-HG50-8 13-28 T
Spokes	15G UCP / black	15G UCP / silver	14G UCP / silver	14G UCP / silver	14G UCP / silver	15G UCP / black	15G UCP / silver	15G UCP / black	15G UCP / silver	CN - Standard Black 2 mm
Rims	Alex C-1000	Alex C-1000	Alloy / black	Alloy / black	Alloy / black	Alex C-1000	Alex C-1000	Alex C-1000	Alex C-1000	Alex DA-28 24"
Tires	CST C-1405P 24x2.0 full black	CST C-1405P 20x2.0 full black	C-1244 / 16x1.75	C-1244 / 12x2.25 training wheels	K-841 / 12x2.25	K-832 / XC-Type 24x1.95	K-832 / XC-Type 20x2.0	K-831 / 24x1.75	K-831 / 20x1.75	Kenda K-191 / 24x1
Rims	Syncros FR32 Disc / 32H	Syncros FR30 Disc / 32H	Syncros FR30 Disc / 32H	Alex X-36 Disc / 32H / black						

SCOTT 2014 SIZE CHART

	<165cm	165-175cm	175-185cm	185-195cm	195cm>
FOIL					
ADDICT	XXS	S	L		XXL
CR1	XS	M		XL	
SPEEDSTER					
SOLACE	XXS	S	L		XXL
	XS	M		XL	
CONTESSA SLACE	XXS	S			
	XS				
ADDICT CX	XS	M		XL	
		S	L		
CONTESSA CR1	XXS	S			
CONTESSA SPEEDSTER	XS				
PLASMA 2	XXS	S	L		XXL
	XS	M		XL	
PLASMA 3		S		L	
			M		
SUB	XS	M		XL	
		S	L		

	<165cm	165-175cm	175-185cm	185-195cm	195cm>
SPARK700		S		L	
GENIUS700			M		XL
SCALE700RC(S-L)					
SCALE700		S	L		XXL
		M		XL	
GENIUS LT 700		S		L	
		M			
GAMBLER		S	M		L
VOLTAGE	XS		M		XL
		S		L	
VOLTAGE FR		SHORT		LONG	
ASPECT 700(S-XL)		S	M	L	XL

SCOTT バイクの品質保証につきまして

ご購入いただいたSCOTTバイクの取り扱いについては、ご購入の際にSCOTTバイク正規取扱店よりお渡しする、「取扱説明書」をよくお読み下さい。

SCOTTでは、組立完成品のバイクご購入時に、部材の欠陥や組み付け不備があった場合、弊社製フレームとスイングアームにつきましてはご購入日から最大5年間の保証（メンテナンス要件に従った場合）を設けております。この5年間の品質保証は、「取扱説明書」に記載しているメンテナンス要件に従って年1回のメンテナンスサービスが、SCOTTバイク正規取扱店で行われた場合のみ付与されます。

※詳しい保証内容につきましては「取扱説明書」の「保証」の項目をご覧ください。

SCOTTバイクのアフターサービスは、全てご購入いただいたSCOTTバイク正規取扱店を通じて行われます。SCOTTバイクを安全かつ快適にご利用いただくため、SCOTTバイクの正規取扱店でご購入ください。

製品の仕様やデザイン・原産国は予告なく変更される場合があります。素材の価格変動などの諸事情により、希望小売価格が変更される場合があります。印刷上のカラーは、実際のカラーと若干異なる場合がございますのでご了承ください。

株式会社スコットジャパン www.scott-japan.jp

SCOTT バイク保証期間

SCOTT	通常の保証期間				
	1年	2年	3年	4年	5年
ダウンヒル・フリーライド用MTBを 除いた全バイク					
ダウンヒル・フリーライド用 フルサスペンションMTBバイク					
Genius TC/Equalizer TC Shock					

取扱説明書で規定されているメンテナンス要件に従った場合に延長される保証期間



株式会社スコットジャパン

WWW.SCOTT-JAPAN.JP



WWW.FACEBOOK.COM/PAGES/SCOTT-JAPAN/273355212699811



問い合わせ先

INFO@SCOTT-SPORTS.JP





www.scott-japan.jp